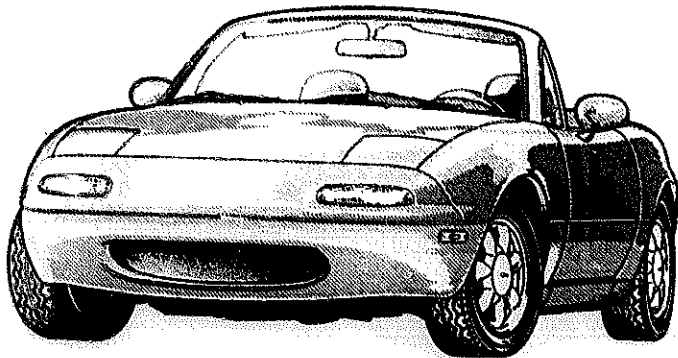


Parts Catalog

Mazda MX-5 MIATA
U.S.A.
'91 ▶ '92



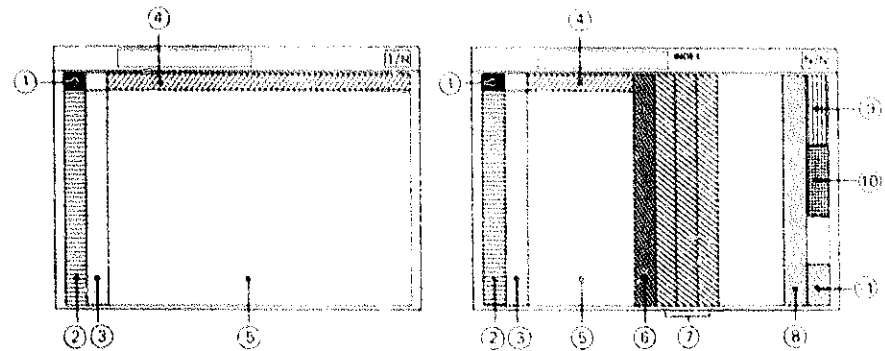
NA35** -20001-350000

Jan. '94 (FINAL)
Catalog No. AU-NA02-07

mazda
© 1994 Mazda Motor Corporation

LAYOUT OF CONTENTS / DISPOSITION TYPOGRAPHIQUE DE CONTENU / DISPOSICION DEL CONTENIDO / ANORDNUNG DES INHALTS

- The following is a typical example of the layout of contents on Mazda microfiche parts catalog.
- Voici un exemple typique de la disposition typographique de contenu dans les microfiches de catalogue des pièces de Mazda.
- El siguiente es un ejemplo típico de la disposición del contenido en una microficha del catálogo de repuestos de Mazda.
- Folgendes ist ein typisches Beispiel der Inhaltsanordnung des Mazda-Mikrofiche-Teilekatalogs.

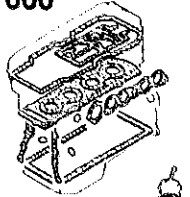
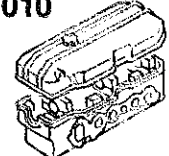
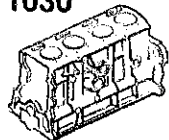
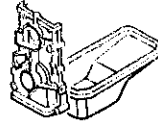
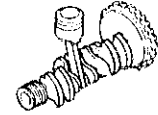
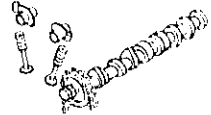
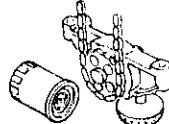
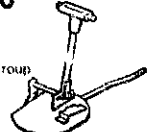
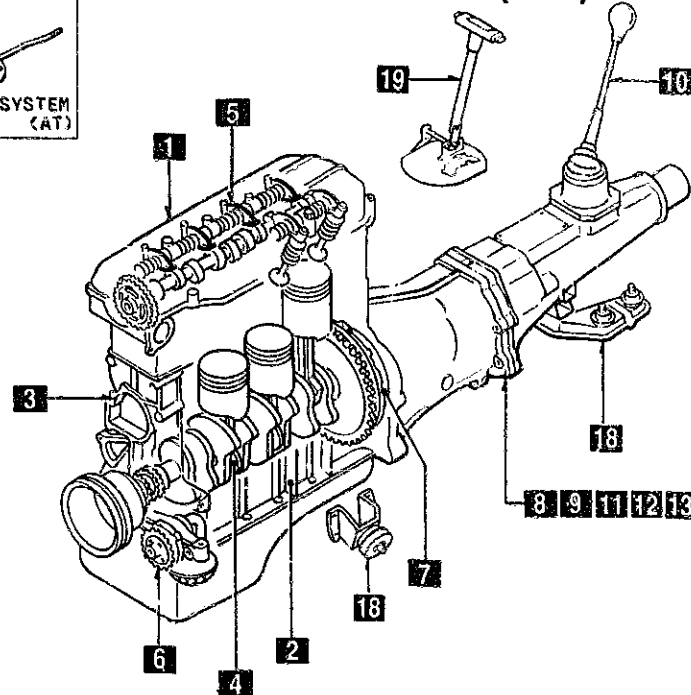
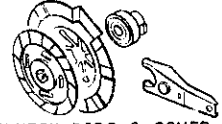

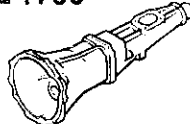
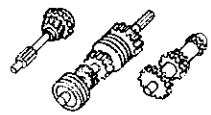

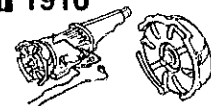
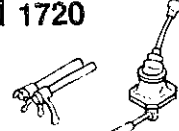
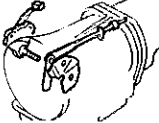
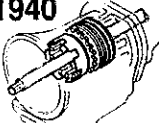
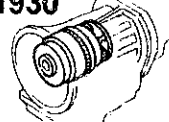

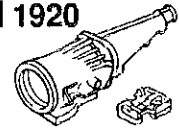
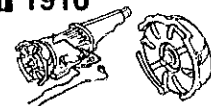


Remark : The items listed under ④ have been deleted from each fiche since Dec. '93

- | | | |
|--|---|---|
| ① • Layout of contents
• Disposition Typographique de Contenu
• Disposición del contenido
• Anordnung des Inhalts | ② • Pictorial Index
• Index par Schémas
• Índice Gráfico
• Illustrierter Index | ③ • Master Section No. Index
• Index des Numéros des Sections Totale
• Índice del Número de la Sección Maestra
• Hauptabschnittsnummer-Index |
| ④ • Section No. Index for the Column
• Index des Numéros des Sections pour les Colonnes
• N° de la Sección para el Índice
• Abschnittsnummer-Index für die Spalte | ⑤ • Illustration & Text
• Illustrations et Textes
• Ilustración y Texto
• Abbildung und Text | ⑥ • Part No. Index
• Index des Numéros des Pièces
• Índice del N° de Pieza
• Teile-Nr.-Index |
| ⑦ • Alphabetical Index
• Index Alphabétique
• Índice Alfabético
• Alphabetischer Index | ⑧ • Model Identification
• Identification des Modèles
• Identificación del Modelo
• Modell-Kennzeichnung | ⑨ • Vehicle Identification System
• Système d'identification de Véhicule
• Sistema de Identificación de Vehículo
• Fahrzeug-Identifikations-system |



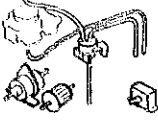

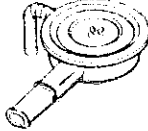
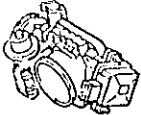
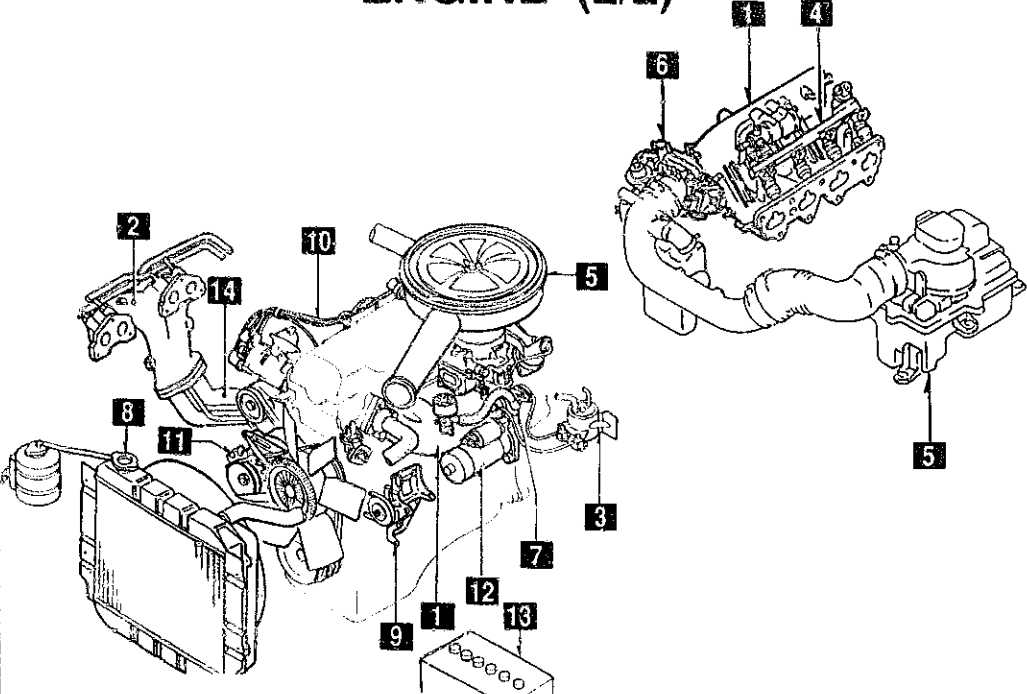
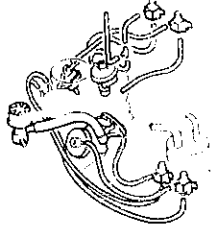
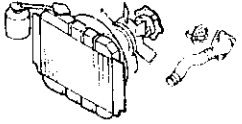
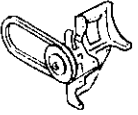
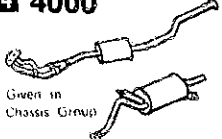
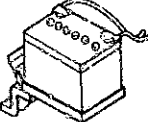
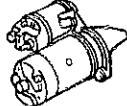
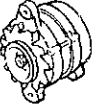
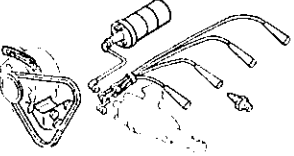
1-B 1

PICTORIAL INDEX

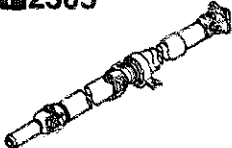
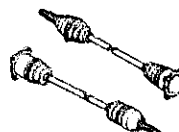


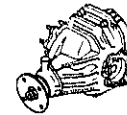


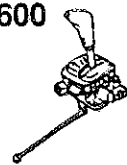
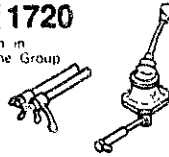
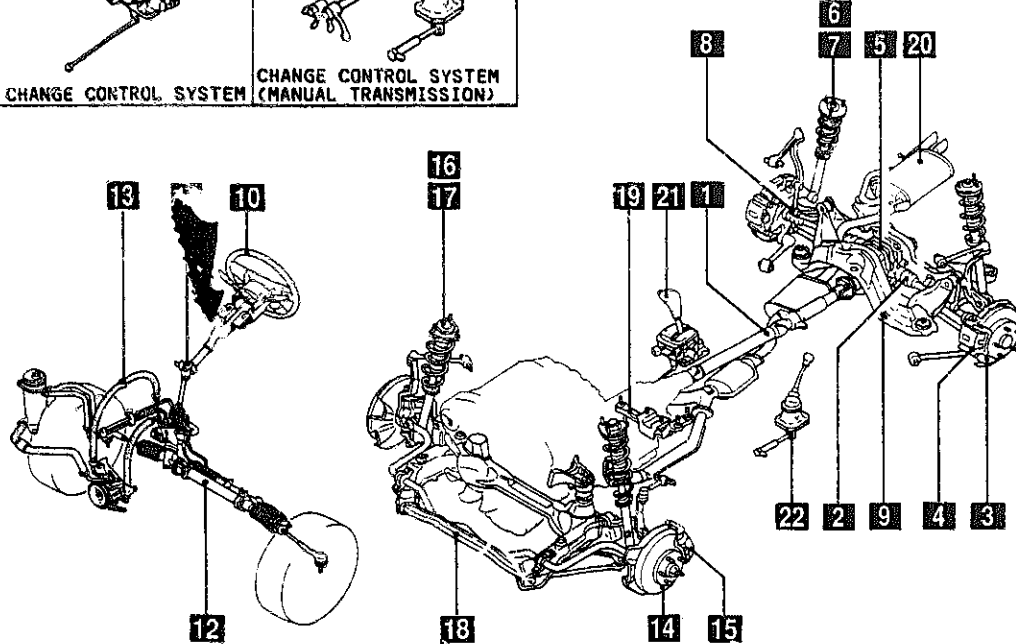

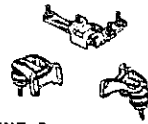

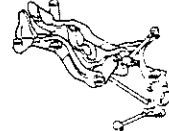
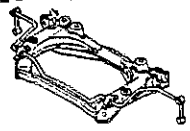

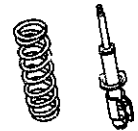
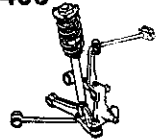

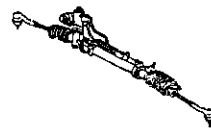

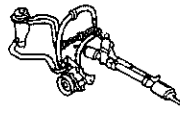

<p>1000</p>  <p>1010</p>  <p>CYLINDER HEAD & COVER</p>	<p>1030</p>  <p>CYLINDER BLOCK</p>	<p>1040</p>  <p>OIL PAN & TIMING COVER</p>	<p>1100</p>  <p>PISTON, CRANKSHAFT & FLYWHEEL</p>	<p>1200</p>  <p>VALVE SYSTEM</p>	<p>1400</p>  <p>OIL PUMP & FILTER</p>
<p>19 4600</p> <p>Given in Chassis Group</p>  <p>CHANGE CONTROL SYSTEM (AT)</p>	<p>ENGINE (1/2)</p> 				<p>1600</p>  <p>CLUTCH DISC & COVER (MANUAL)</p>
<p>18 3900</p> <p>Given in Chassis Group</p>  <p>ENGINE & TRANSMISSION MOUNTINGS</p>	<p>1700</p>  <p>TRANSMISSION CASE (MANUAL)</p>				<p>1710</p>  <p>TRANSMISSION GEARS (MANUAL)</p>
<p>17 1960</p>  <p>GASKET & SEAL KIT (AUTOMATIC)</p>	<p>1910</p>  <p>TORQUE CONVERTER, OIL PUMP & PIPINGS (AUTOMATIC)</p>				<p>1720</p>  <p>CHANGE CONTROL SYSTEM (MANUAL)</p>
<p>16 1950</p>  <p>MANUAL LINKAGE SYSTEM (AUTOMATIC)</p>	<p>1940</p>  <p>GOVERNOR, LOW & REVERSE PISTON (AUTOMATIC)</p>	<p>1930</p>  <p>CLUTCHES & PLANETARY GEARS (AUTOMATIC)</p>	<p>1925</p>  <p>CONTROL VALVE (AUTOMATIC)</p>	<p>1920</p>  <p>TRANSMISSION CASE & MAIN CONTROL SYSTEM (AUTOMATIC)</p>	<p>1910</p>  <p>TORQUE CONVERTER, OIL PUMP & PIPINGS (AUTOMATIC)</p>

As this illustration is prepared to be applicable to all models, some parts are different in specifications from the parts listed in this parts Catalog.



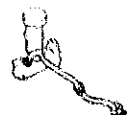

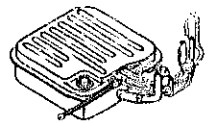
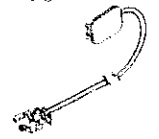
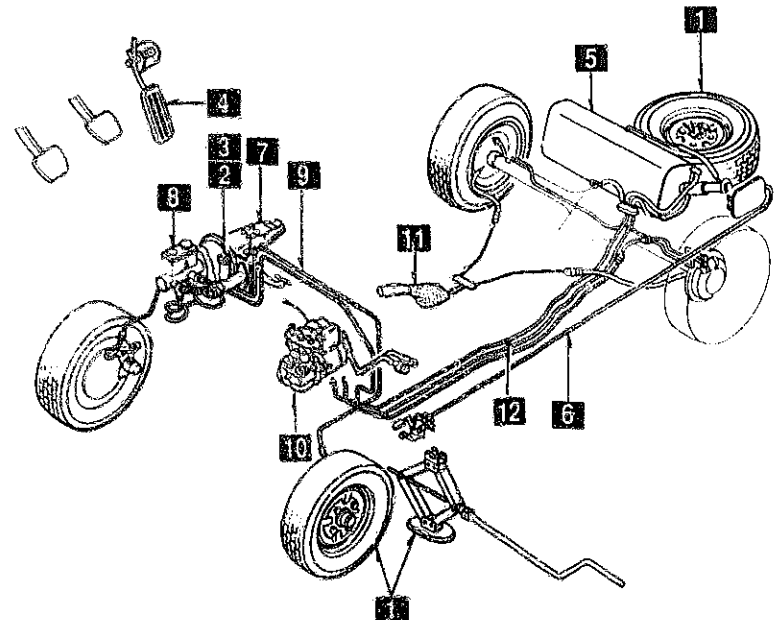
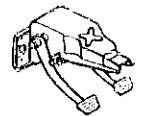
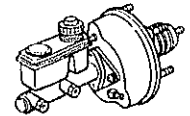

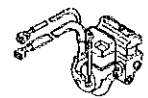
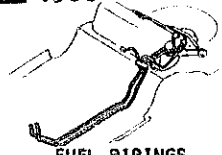

PICTORIAL INDEX

1 1300  INLET MANIFOLD	2 1310  EXHAUST MANIFOLD	3 1320  FUEL SYSTEM	4 1325  FUEL DISTRIBUTOR	5 1330  AIR CLEANER	6 1364  THROTTLE BODY
<h3 style="margin: 0;">ENGINE (2/2)</h3> 					
<p style="font-size: small;">As this illustration is prepared to be applicable to all models, some parts are different in specifications from the parts listed in this parts Catalog.</p>					
7 1370  EMISSION CONTROL SYSTEM (INLET SIDE)					
8 1500  COOLING SYSTEM					
9 1580  BRACKET, PULLEY & BELT					
14 4000  <small>Given in Chassis Group</small> EXHAUST SYSTEM	13 1850  BATTERY	12 1840  STARTER	11 1830  ALTERNATOR	10 1800  ENGINE ELECTRICAL SYSTEM	

PICTORIAL INDEX



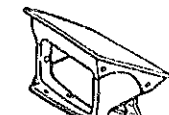

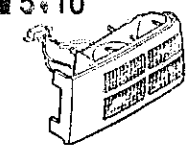

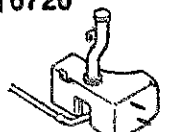
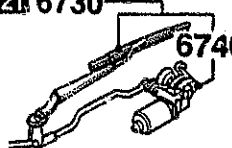
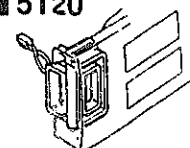

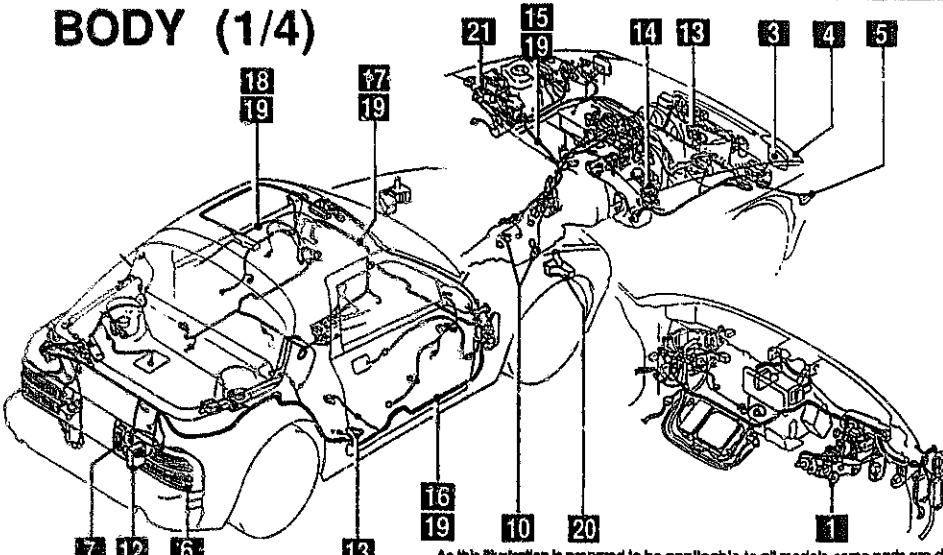


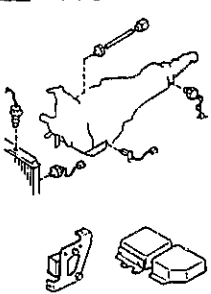
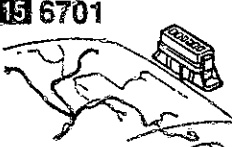
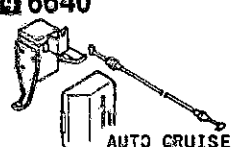
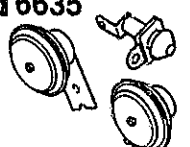

<p>1 2505</p>  <p>REAR PROPELLER SHAFT</p>	<p>2 2550</p>  <p>REAR DRIVE SHAFT</p>	<p>3 2600</p>  <p>REAR AXLE</p>	<p>4 2610</p>  <p>REAR BRAKE MECHANISMS</p>	<p>5 2710</p>  <p>REAR DIFFERENTIALS</p>	<p>6 2800</p>  <p>REAR SUSPENSION MECHANISMS</p>
<p>20 4000</p>  <p>EXHAUST SYSTEM</p>	<p>21 4600</p>  <p>CHANGE CONTROL SYSTEM</p>	<p>22 1720 Given in Engine Group</p>  <p>CHANGE CONTROL SYSTEM (MANUAL TRANSMISSION)</p>	<h2 style="margin: 0;">CHASSIS (1/2)</h2>  <p style="font-size: small; text-align: center;">As this illustration is prepared to be applicable to all models, some parts are different in specifications from parts listed in this parts Catalog.</p>		<p>7 2801</p>  <p>REAR SPRING & DAMPER</p>
<p>19 3900</p>  <p>ENGINE & T/MISSION MOUNTINGS</p>			<p>8 2810</p>  <p>REAR STABILIZER</p>	<p>9 2830</p>  <p>REAR LOWER ARMS & SUB FRAME</p>	
<p>18 3410</p>  <p>CROSSMEMBER & STABILIZER</p>			<p>10 3200</p>  <p>STEERING WHEEL</p>		
<p>17 3401</p>  <p>FRONT SPRING & DAMPER</p>			<p>11 3400</p>  <p>FRONT SUSPENSION MECHANISMS</p>	<p>13 3300</p>  <p>FRONT AXLE</p>	<p>12 3220</p>  <p>STEERING GEAR</p>
<p>15 3310</p>  <p>FRONT BRAKE MECHANISMS</p>			<p>16 3240</p>  <p>POWER STEERING SYSTEM (FRONT)</p>	<p>14 3210</p>  <p>STEERING COLUMN & SHAFTS</p>	

PICTORIAL INDEX

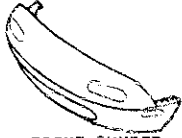



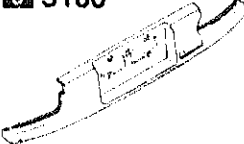

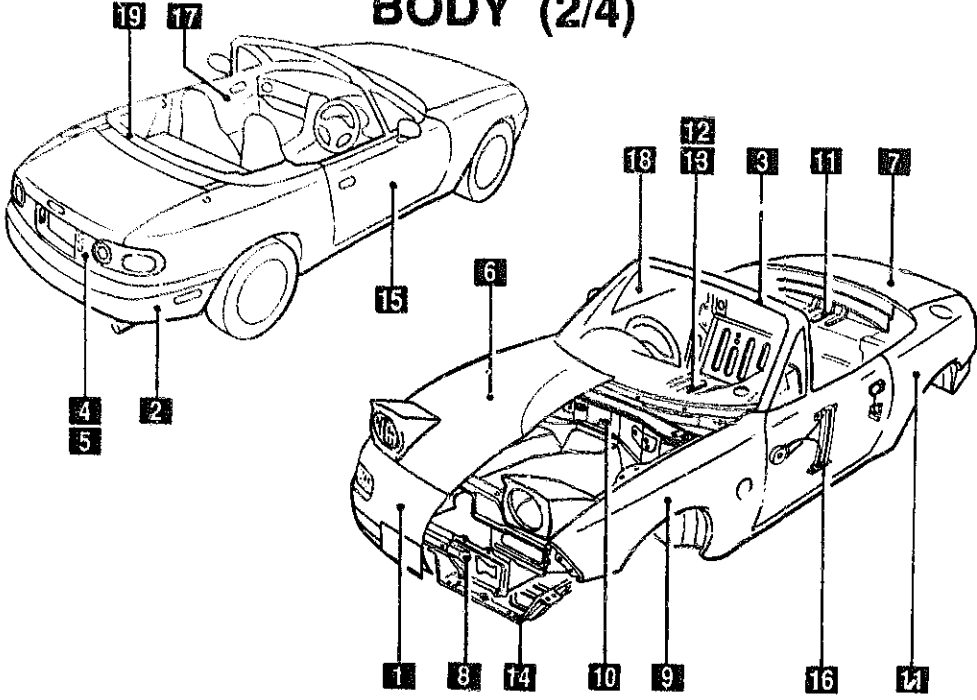



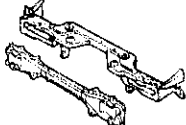


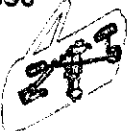
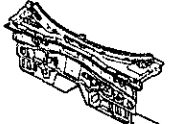


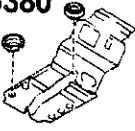
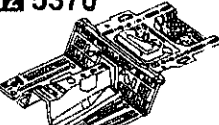

1 3700  TIRES & JACK	2 4140  CLUTCH RELEASE & MASTER CYLINDERS	3 4145  CLUTCH PIPINGS	4 4160  ACCELERATOR CONTROL SYSTEM	5 4200  FUEL TANK	6 4210  FUEL LID OPENER
<h3 style="margin: 0;">CHASSIS (2/2)</h3> 					
					7 4300  CLUTCH & BRAKE PEDALS
					8 4340  BRAKE MASTER CYLINDER & POWER BRAKE
					9 4360  BRAKE PIPINGS
					10 4370  ANTILOCK BRAKE SYSTEM
				12 4500  FUEL PIPINGS	11 4400  PARKING BRAKE SYSTEM

As this illustration is prepared to be applicable to all models, some parts are different in specifications from parts listed in this parts Catalog.

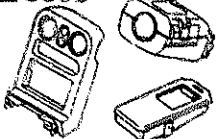


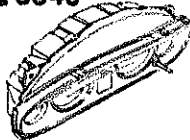
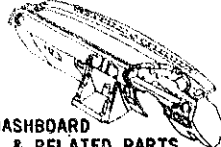
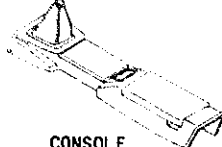
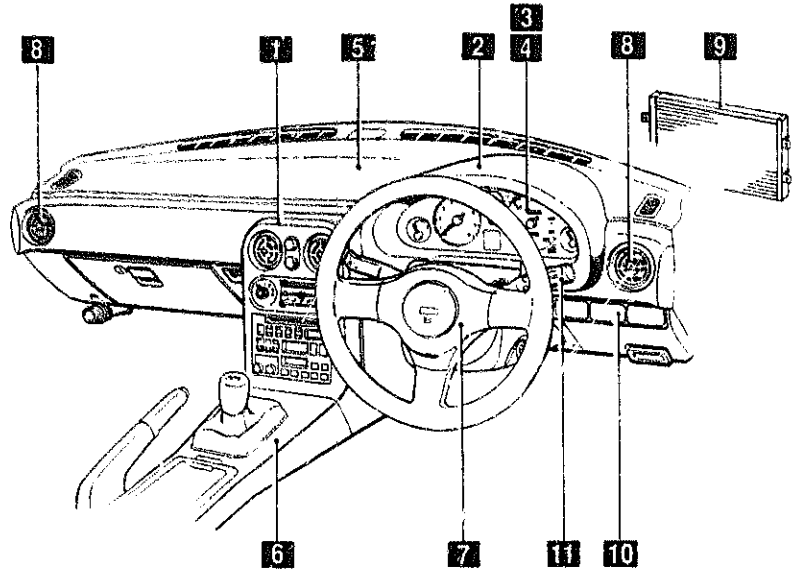

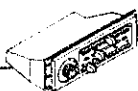
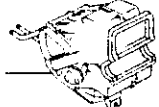


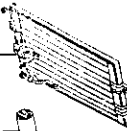



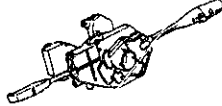
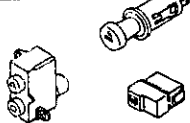
PICTORIAL INDEX

<p>1 0900</p>  <p>KEY SETS</p>	<p>2</p>	<p>3 5100</p>  <p>HEAD LAMPS</p>	<p>4 5103</p>  <p>HEAD LAMP RETRACTORS</p>	<p>5 5105</p>  <p>FRONT COMBINATION LAMPS</p>	<p>6 5110</p>  <p>REAR COMBINATION LAMPS</p>
<p>19 6704</p>  <p>WIRING HARNESS CLAMPS</p>	<p>20 6720</p>  <p>WINDSHIELD WASHER</p>	<p>21 6730</p>  <p>WINDSHIELD WIPERS</p>			<p>7 5120</p>  <p>LICENSE LAMPS</p>
<p>18 6703</p>  <p>WIRING HARNESSSES (DOOR, FLOOR/CEILING)</p>	<p>BODY (1/4)</p>  <p style="font-size: small; text-align: center;">As this illustration is prepared to be applicable to all models, some parts are different in specifications from parts listed in this parts Catalog.</p>				<p>8</p>
<p>17 6702</p>  <p>WIRING HARNESSSES (DASHBOARD)</p>					<p>9</p>
<p>16 6700</p>  <p>WIRING HARNESSSES (FRONT & REAR)</p>					<p>10 6600</p>  <p>SWITCHES & RELAYS (ENGINE)</p>
<p>15 6701</p>  <p>WIRING HARNESSSES (ENGINE & T/MISSION)</p>	<p>14 6640</p>  <p>AUTO CRUISE CONTROL SYSTEM</p>	<p>13 6635</p>  <p>DOOR SWITCH & HORNS</p>	<p>12 6630</p>  <p>RELAYS & UNIT (BODY)</p>	<p>11</p>	

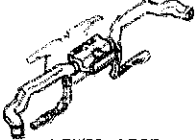


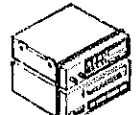
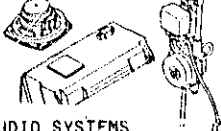

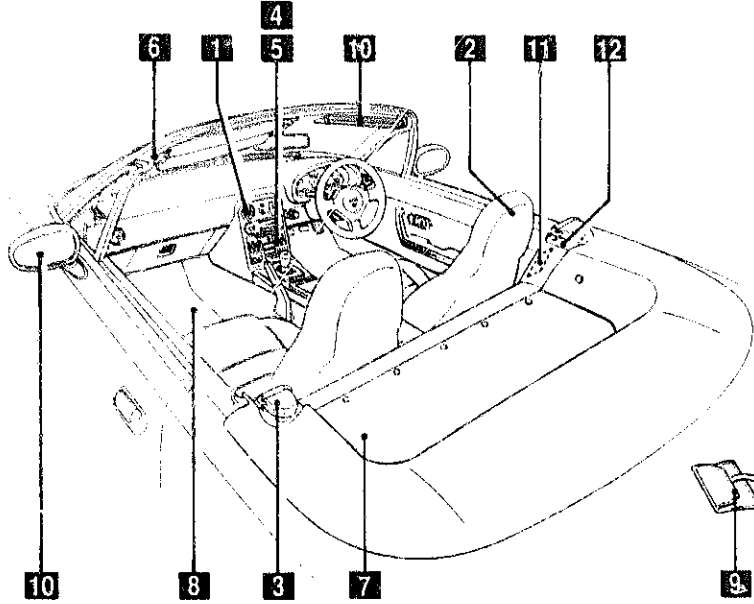
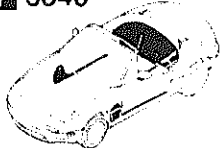
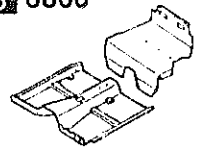

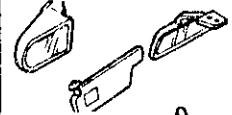


PICTORIAL INDEX

<p>1 5000</p>  <p>FRONT BUMPER</p>	<p>2 5010</p>  <p>REAR BUMPER</p>	<p>3 5030</p>  <p>WINDOW MOULDING & COWL GRILLES</p>	<p>4 5170</p>  <p>ORNAMENTS</p>	<p>5 5180</p>  <p>REAR FINISHER</p>	<p>6 5230</p>  <p>BONNET</p>
<p>BODY (2/4)</p> 					
<p>19 6330</p>  <p>SUNROL</p>					<p>7 5260</p>  <p>TRUNK LID</p>
<p>18 6000</p>  <p>WINDOW GLASSES</p>					<p>8 5310</p>  <p>FRONT PANELS</p>
<p>17 5840</p>  <p>FRONT DOOR TRIMS & RELATED PARTS</p>					<p>9 5320</p>  <p>FENDER & WHEEL APRON PANELS</p>
<p>16 5830</p>  <p>FRONT DOOR MECHANISMS</p>					<p>10 5330</p>  <p>DASH & COWL PANELS</p>
<p>15 5800</p>  <p>FRONT DOORS</p>	<p>14 5390</p>  <p>FLOOR ATTACHMENTS</p>	<p>13 5380</p>  <p>FLOOR ATTACHMENTS (HOLE COVERS)</p>	<p>12 5370</p>  <p>FLOOR PANELS</p>	<p>11 5340</p>  <p>SIDE PANELS</p>	

PICTORIAL INDEX

<p>1 5500</p>  <p>DASHBOARD EQUIPMENTS</p>	<p>2 5520</p>  <p>METER HOOD</p>	<p>3 5530</p>  <p>SPEEDOMETER CABLE</p>	<p>4 5540</p>  <p>METER COMPONENTS</p>	<p>5 5560</p>  <p>DASHBOARD & RELATED PARTS</p>	<p>6 5570</p>  <p>CONSOLE</p>
<p>BODY (3/4)</p> 					
					<p>7 5795</p>  <p>AIR BAG</p>
					<p>8</p>  <p>6115</p>  <p>6110</p>  <p>6100</p>  <p>6120</p> <p>HEATER</p>
					<p>9</p>  <p>6130</p>  <p>6135</p>  <p>6140</p>  <p>6150</p> <p>AIR CONDITIONER</p>
			<p>11 6611</p>  <p>COMBINATION SWITCH</p>	<p>10 6610</p>  <p>DASHBOARD SWITCHES</p>	

PICTORIAL INDEX

1 5580  VENTILATOR	2 5700  SEATS	3 5790  SEAT BELTS	4 6680  AUDIO SYSTEMS (RADIO & TAPE DECK)	5 6682  AUDIO SYSTEMS (ANTENNA & SPEAKER)	6 6820  FRONT HEADER TRIM & PILLAR TRIMS
<h3 style="margin: 0;">BODY (4/4)</h3>  <p style="text-align: center; font-size: small;">As this illustration is prepared to be applicable to all models, some parts are different in specifications from parts listed in this parts Catalog.</p>					
					7 6840  TRIMS & SCUFF PLATES
					8 6860  FLOOR MATS & PADS
					9 6870  SERVICE TOOLS
					10 6900  VISORS, ASSIST HANDLES & MIRRORS
				12 7250  QUARTER WINDOW & TRIMS	11 6930  CAUTION PLATES & LABELS

SECTION NAME INDEX (ENGINE)

LO.NO	SEC.NO	SECTION NAME	LO.NO	SEC.NO	SECTION NAME	LO.NO	SEC.NO	SECTION NAME
1-C03	1000	ENGINE & GASKET SETS						
1-D03	1010	CYLINDER HEAD & COVER						
1-G03	1030	CYLINDER BLOCK						
1-I03	1040	OIL PAN & TIMING COVER						
1-K03	1100	PISTON, CRANKSHAFT & FLYWHEEL						
1-N03	1200	VALVE SYSTEM						
1-D04	1300	INLET MANIFOLD						
1-E04	1310	EXHAUST MANIFOLD						
1-F04	1320	FUEL SYSTEM						
1-H04	1325	FUEL DISTRIBUTOR						
1-I04	1330	AIR CLEANER						
1-K04	1364	THROTTLE BODY						
1-L04	1370	EMISSION CONTROL SYSTEM (INLET SIDE)						
1-M04	1400	OIL PUMP & FILTER						
1-C05	1500	COOLING SYSTEM						
1-G05	1580	BRACKET, PULLEY & BELT						
1-C06	1600	CLUTCH DISC & COVER (MANUAL)						
1-D06	1700	TRANSMISSION CASE (MANUAL)						
1-E06	1710	TRANSMISSION GEARS (MANUAL)						
1-K06	1720	CHANGE CONTROL SYSTEM (MANUAL)						
1-N06	1800	ENGINE ELECTRICAL SYSTEM						
1-D07	1830	ALTERNATOR						
1-G07	1840	STARTER						
1-I07	1850	BATTERY						
1-J07	1910	TORQUE CONVERTER, OIL PUMP & PIPINGS (AUTOMATIC)						
1-M07	1920	TRANSMISSION CASE & MAIN CONTROL SYSTEM (AUTOMATIC)						
1-G08	1925	CONTROL VALVE (AUTOMATIC)						
1-K08	1930	CLUTCHES & PLANETARY GEARS (AUTOMATIC)						
1-F09	1940	GOVERNOR, LOW & REVERSE PISTON (AUTOMATIC)						
1-I09	1950	MANUAL LINKAGE SYSTEM (AUTOMATIC)						
1-K09	1960	GASKET & SEAL KIT (AUTOMATIC)						

CATLOG-NO= AUNA02-07

DATE. 1993-12

PAGE. 1

1-B 2

SECTION NAME INDEX (CHASSIS)

LG.NO	SEC.NO	SECTION NAME	LG.NO	SEC.NO	SECTION NAME	LG.NO	SEC.NO	SECTION NAME
1-C11	2505	REAR PROPELLER SHAFT	1-H16	4360	BRAKE PIPINGS			
1-D11	2550	REAR DRIVE SHAFT	1-L16	4370	ANTILOCK BRAKE SYSTEM			
1-E11	2600	REAR AXLE	2-C03	4400	PARKING BRAKE SYSTEM			
1-G11	2610	REAR BRAKE MECHANISMS	2-E03	4500	FUEL PIPINGS			
1-I11	2710	REAR DIFFERENTIALS (NORMAL DIFF.)	2-G03	4600	CHANGE CONTROL SYSTEM (AT)			
1-N11	2710 A	REAR DIFFERENTIALS (LIMITED SLIP DIFF.)						
1-G12	2800	REAR SUSPENSION MECHANISMS						
1-H12	2801	REAR SPRING & DAMPER						
1-I12	2810	REAR STABILIZER						
1-J12	2830	REAR LOWER ARMS & SUB FRAME						
1-L12	3200	STEERING WHEEL						
1-N12	3210	STEERING COLUMN & SHAFTS						
1-N12	3220	STEERING GEAR (W/O POWER STEERING)						
1-D13	3220 A	STEERING GEAR (W/ POWER STEERING)						
1-G13	3240	POWER STEERING SYSTEM						
1-I13	3300	FRONT AXLE						
1-J13	3310	FRONT BRAKE MECHANISMS						
1-L13	3400	FRONT SUSPENSION MECHANISMS						
1-N13	3401	FRONT SPRING & DAMPER						
1-C14	3410	CROSSMEMBER & STABILIZER						
1-D14	3700	TIRES & JACK						
1-C15	3900	ENGINE & T/MISSION MOUNTINGS						
1-D15	4000	EXHAUST SYSTEM						
1-F15	4140	CLUTCH RELEASE & MASTER CYLINDERS (MANUAL TRANSMISSION)						
1-G15	4145	CLUTCH PIPINGS (MANUAL TRANSMISSION)						
1-H15	4160	ACCELERATOR CONTROL SYSTEM						
1-I15	4200	FUEL TANK						
1-L15	4210	FUEL LID OPENER						
1-M15	4300	CLUTCH & BRAKE PEDALS (MANUAL TRANSMISSION)						
1-D16	4300A	BRAKE PEDALS (AUTOMATIC TRANSMISSION)						
1-F16	4340	BRAKE MASTER CYLINDER & POWER BRAKE						

CATLOG-NO= AUNA02-07

DATE. 1993-12

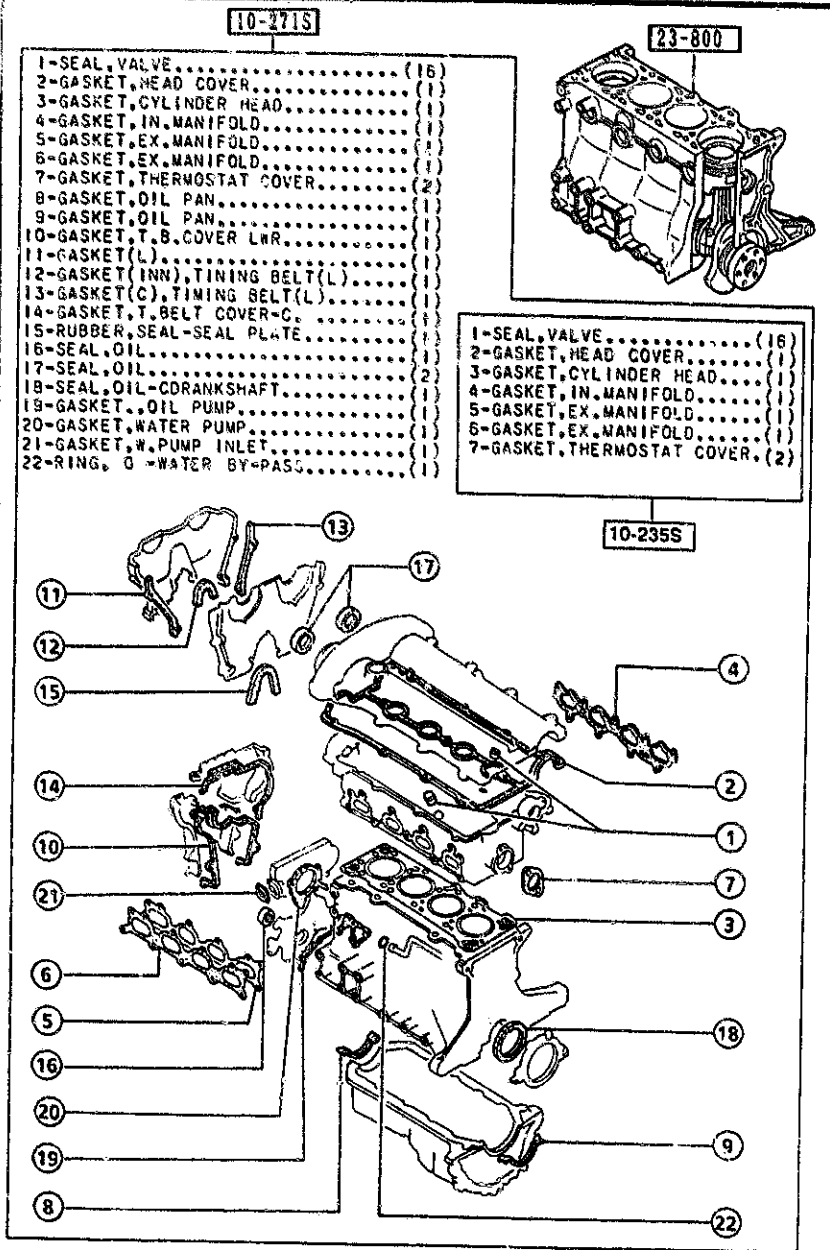
PAGE. 2

1-C 2

SECTION NAME INDEX (BODY)

LO.NO	SEC.NO	SECTION NAME	LO.NO	SEC.NO	SECTION NAME	LO.NO	SEC.NO	SECTION NAME
2-C05	0900	KEY SETS	2-D13	6110	HEATER UNIT COMPONENTS	3-M04	7250	QUARTER WINDOW & TRIMS
2-F05	5000	FRONT BUMPER	2-E13	6115	HEATER CONTROLS COMPONENTS			
2-I05	5010	REAR BUMPER	2-G13	6120	HEATER BLOWER COMPONENTS			
2-K05	5030	WINDOW MOULDING & COWL GRILLES	2-H13	6130	AIR CONDITIONER			
2-L05	5103	HEAD LAMPS	2-L13	6135	O RING SET,PIPING			
2-M05	5103	HEAD LAMP RETRACTORS	2-M13	6140	COMPRESSOR COMPONENTS (AIR CON DITIONER)			
2-D06	5105	FRONT COMBINATION LAMPS	2-C14	6150	COOLING UNIT (AIR CONDITIONER)			
2-F06	5110	REAR COMBINATION LAMPS	2-D14	6300	WINDOW GLASSES			
2-I06	5120	LICENSE LAMPS	2-E14	6330	SUNROOF			
2-J06	5170	ORNAMENTS	2-E15	6600	SWITCHES & RELAYS (ENGINE)			
2-K06	5180	REAR FINISHER	2-I15	6610	DASHBOARD SWITCHES			
2-M06	5230	BONNET	2-J15	6611	COMBINATION SWITCH			
2-C07	5260	TRUNK LID	2-K15	6630	RELAYS & UNIT (BODY)			
2-E07	5310	FRONT PANELS	2-M15	6635	DOOR SWITCH & HORNS			
2-F07	5320	FENDER & WHEEL APRON PANELS	2-N15	6640	AUTO CRUISE CONTROL SYSTEM			
2-I07	5330	DASH & COWL PANELS	2-C16	6680	AUDIO SYSTEMS (RADIO & TAPE DE CK)			
2-J07	5340	SIDE PANELS	2-E16	6682	AUDIO SYSTEMS (ANTENNA & SPEAK ER)			
2-G08	5370	FLOOR PANELS	2-G16	6700	WIRING HARNESSSES(FRONT & REAR)			
2-F08	5380	FLOOR ATTACHMENTS (HOLE COVERS)	2-J16	6701	WIRING HARNESSSES(ENGINE & T/MI SSION)			
2-G08	5390	FLOOR ATTACHMENTS	2-L16	6702	WIRING HARNESSSES(DASHBOARD)			
2-C09	5500	DASHBOARD EQUIPMENTS	2-M16	6703	WIRING HARNESSSES(DOOR,FLOOR/CE ILING)			
2-E09	5520	METER HOOD	3-C03	6704	WIRING HARNESS CLAMPS			
2-F09	5530	SPEEDOMETER CABLE	3-F03	6720	WINDSHIELD WASHER			
2-G09	5540	METER COMPONENTS	3-K03	6730	WINDSHIELD WIPERS			
2-J09	5560	DASHBOARD & RELATED PARTS	3-M03	6740	WIPER MOTOR COMPONENTS(FRONT)			
2-M09	5570	CONSOLE	3-N03	6820	FRONT HEADER TRIM & PILLAR (NI MS)			
2-E10	5580	VENTILATOR	3-C04	6840	TRIMS & SCUFF PLATES			
2-G10	5700	SEATS	3-E04	6860	FLOOR MATS & PADS			
2-E11	5790	SEAT BELTS	3-H04	6870	SERVICE TOOLS			
2-F11	5795	AIR BAG	3-I04	6900	VISORS,ASSIST HANDLES & MIRROR S			
2-G11	5800	FRONT DOORS	3-K04	6930	CAUTION PLATES & LABELS			
2-J11	5830	FRONT DOOR MECHANISMS						
2-N11	5040	FRONT DOOR TRIMS & RELATED PAR TS						
2-C13	6100	HEATER						

1000 ENGINE & GASKET SETS

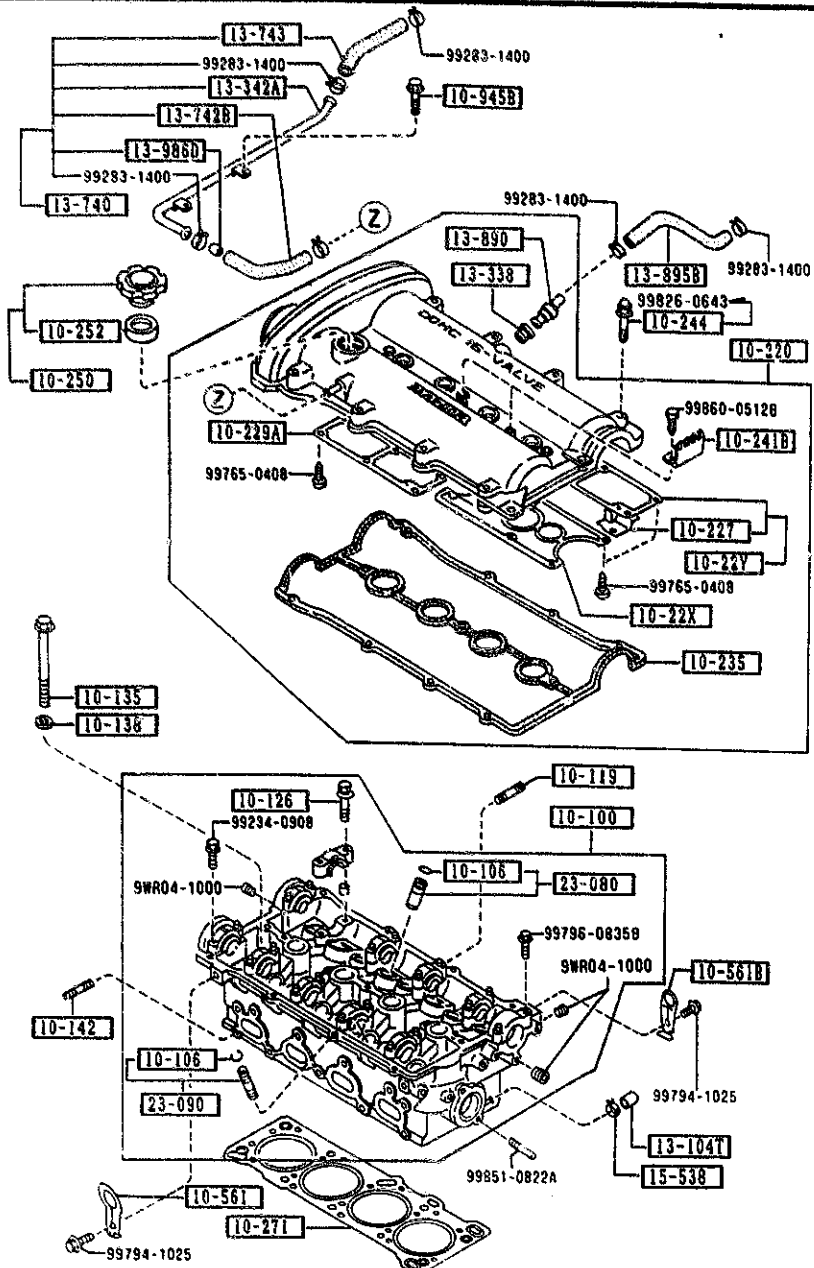


PART NO.	QTY	MODEL/RESTRICTION	MODEL/RESTRICTION	MODEL/RESTRICTION	FROM-TO
10-235S		GASKET SET, CYL. HEAD			
8AN1-10-235	1				-1301
*8AN1-10-235A	1				1301-
10-271S		GASKET SET, ENGINE			
8AN1-10-271	1				-0910
8AN1-10-271B	1	NON ASBESTOS			0910-
23-800		ENGINE, SHORT			
B64E-02-200B	1	(MT)			-0910
B64J-02-200A	1	(AT)			-0910
B64J-02-200B	1	(AT)			0910-
B64E-02-200C	1				0910-2101
A (B64E-02-200D)					
B64E-02-200D	1	(MT)			2101-

0910 NA35MM-209446
 1301 NA35MM-231464
 2101 NA35MM-313914

1010 -1 CYLINDER HEAD & COVER

1010 CYLINDER HEAD & COVER



PART NO.	QTY	MODEL/RESTRICTION	MODEL/RESTRICTION	MODEL/RESTRICTION	FROM 10
10-100		HEAD, CYLINDER			
B61P-10-100B A (B61P-10-100C)	1				-0819
B61P-10-100C A (B61P-10-100D)	1				0819-1C01
B61P-10-100D	1				1C01-
10-106		CLIP, VALVE GUIDE			
B660-10-106	16				
10-119		STUD			
FE4J-13-146	3				
10-126		BOLT, CAMSHAFT CAP			
B660-10-126	20				
10-135		BOLT, CYLINDER HEAD			
B660-10-135A	10				
10-138		WASHER, PLAIN CYL. HEAD			
B630-10-138A	10				
10-142		STUD, EX. MANIFOLD			
B660-10-104A	9				-0801
B661-10-104	9				0801-
10-22X		PLATE, OIL BAFFLE-IN. SIDE			
B61P-10-22X	1				
10-22Y		PLATE, OIL BAFFLE-EX.			
B6S7-10-22Y	1				
10-220		COVER, CYLINDER HEAD			
B61P-10-210C A (B61P-10-210D)	1				-1301
B61P-10-210D	1				1301-
10-227		PLATE, BAFFLE			
B61P-10-227	1				
10-229A		PLATE, OIL BAFFLE			
0801 NA35MM-205068					
0819 NA35MM-219322					
1301 NA35MM-231464					
1C01 NA35MM-309801					

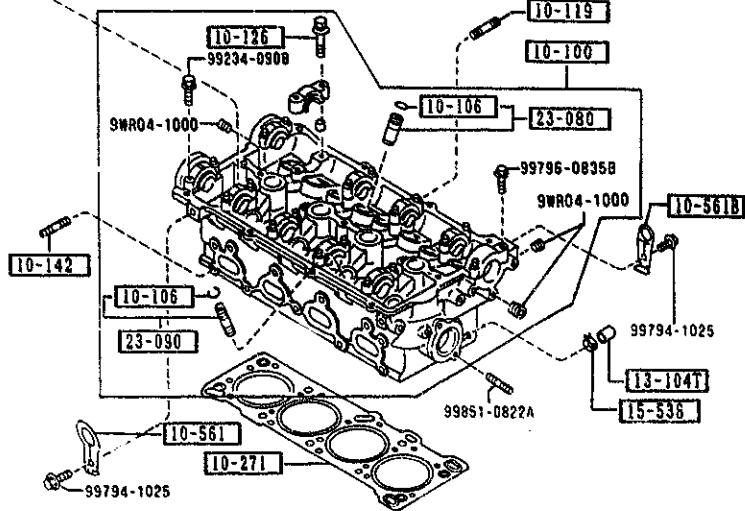
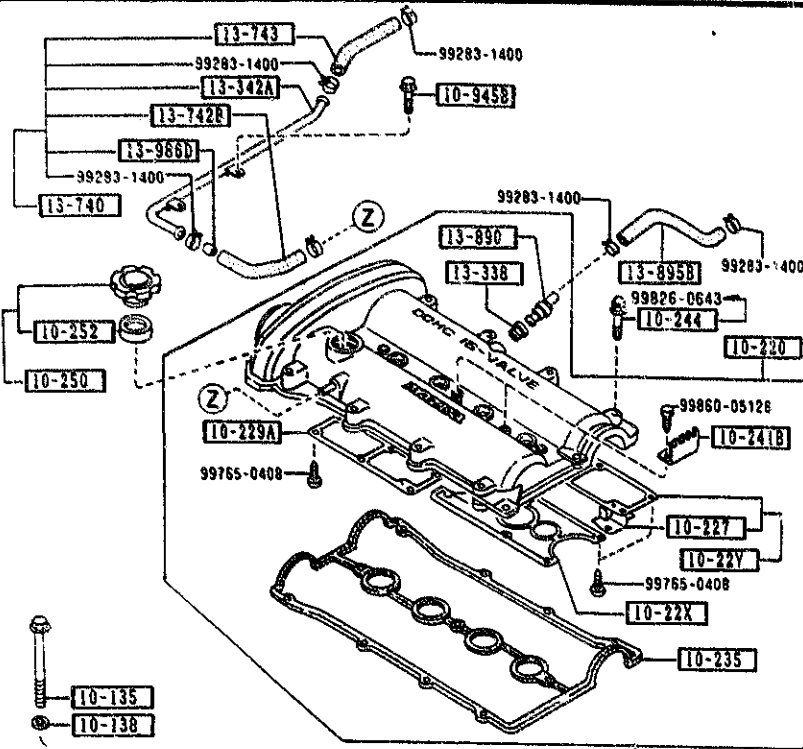
AUNA02

CAT. AUNA02-07

1993-12

1010 -2 CYLINDER HEAD & COVER

1010 CYLINDER HEAD & COVER



PART NO.	QTY	MODEL/RESTRICTION	MODEL/RESTRICTION	MODEL/RESTRICTION	FROM 10
CONT'D					
B6S7-10-225	2				
10-235		GASKET, HEAD COVER			
B61P-10-235		NON ASBESTOS			
A (B61P-10-235A)	1				-1301
B61P-10-235A	1	NON ASBESTOS			1301-
10-241B		PROTECTOR, HT. CORD-S. TANK			
B660-10-241	2				
10-244		BOLT, CYLINDER HEAD COVER			
B660-10-244	11				-1117
10-250		CAP, OIL FILLER			
0453-10-250A	1				
10-252		GASKET			
0324-10-252	1				
10-271		GASKET, CYLINDER HEAD			
B6F4-10-271A	1	NON ASBESTOS			
10-561		HANGER, ENGINE			
B660-10-561	1				
10-561B		HANGER, ENGINE-REAR			
B61P-10-565	1				
10-945B		BOLT			
B61P-13-366	2				
13-104T		CAP, SEALING			
FEA7-13-104	1				
13-338		SEAL, RUBBER			
E301-13-338A	1				
13-342A		PIPE, VENTILATION			
B61P-13-74XA	1				
1117 NA35MM-225452					
1301 NA35MM-231464					

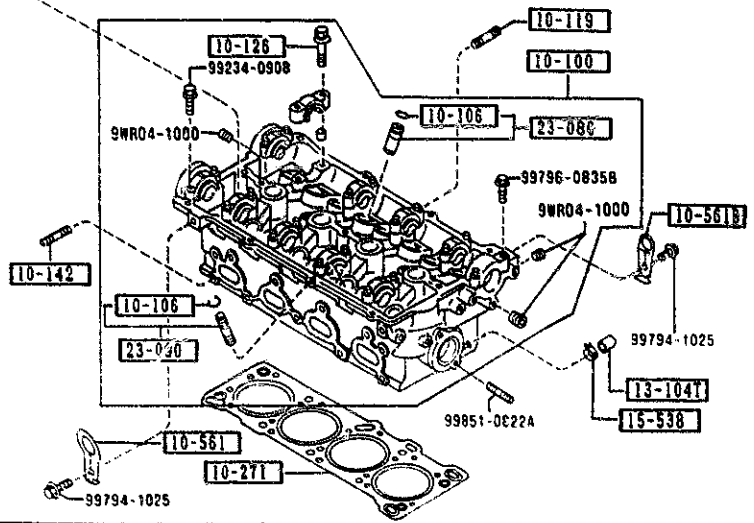
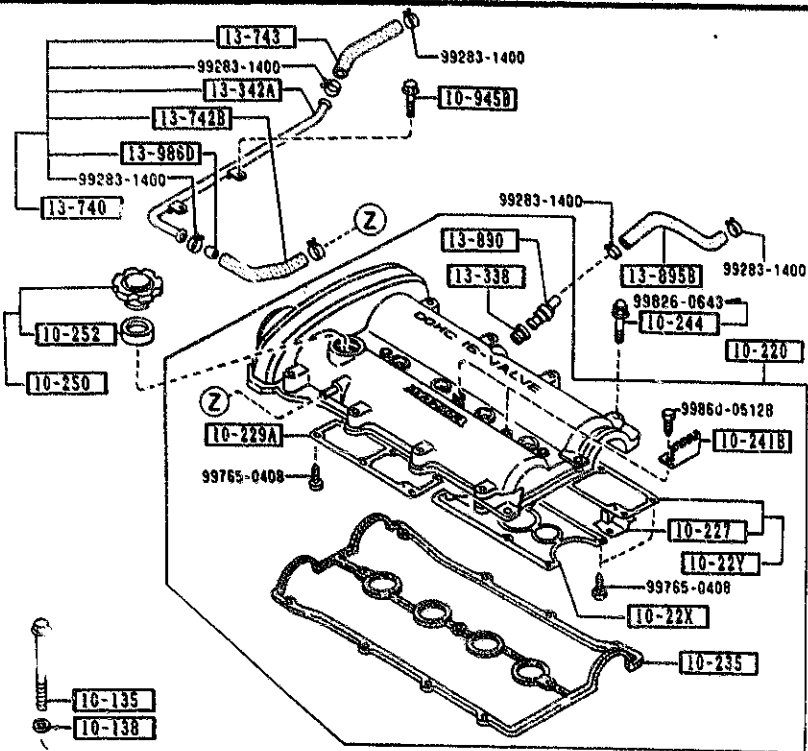
AUNA02

CAT. AUNA02-07

1993-12

1010 -3 * CYLINDER HEAD & COVER

1010 CYLINDER HEAD & COVER

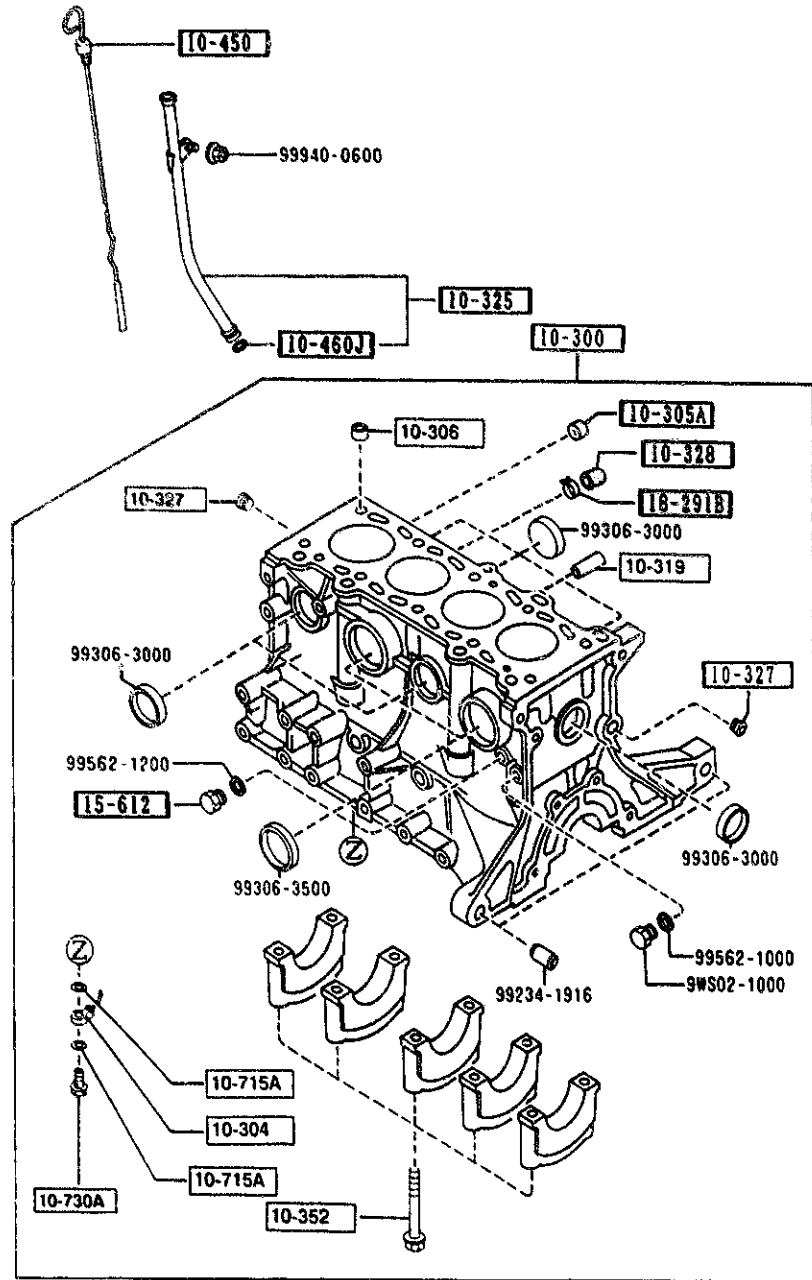


PART NO.	QTY	MODEL/RESTRICTION	MODEL/RESTRICTION	MODEL/RESTRICTION	FROM TO
13-740		HOSE, VENT.-PURGE CON T. V.			
B61P-13-740A	1				
13-742B		HOSE, VENTILATION			
B61P-13-742A	1				
13-743		HOSE, VENTILATION			
B61P-13-743A	1				
13-890		VALVE, P.C.V.			
BPO5-13-890	1				
13-895B		HOSE, P.C.V.			
B61P-13-741	1				
13-986D		ORIFICE			
B61P-13-986	1				
15-538		CLAMP, WATER HOSE			
JF02-15-538	1				
23-080		GUIDE, VALVE			
B620-10-280	8				
23-090		GUIDE, VALVE			
B620-10-290	8				

AUNA02

CAT. AUNA02-07

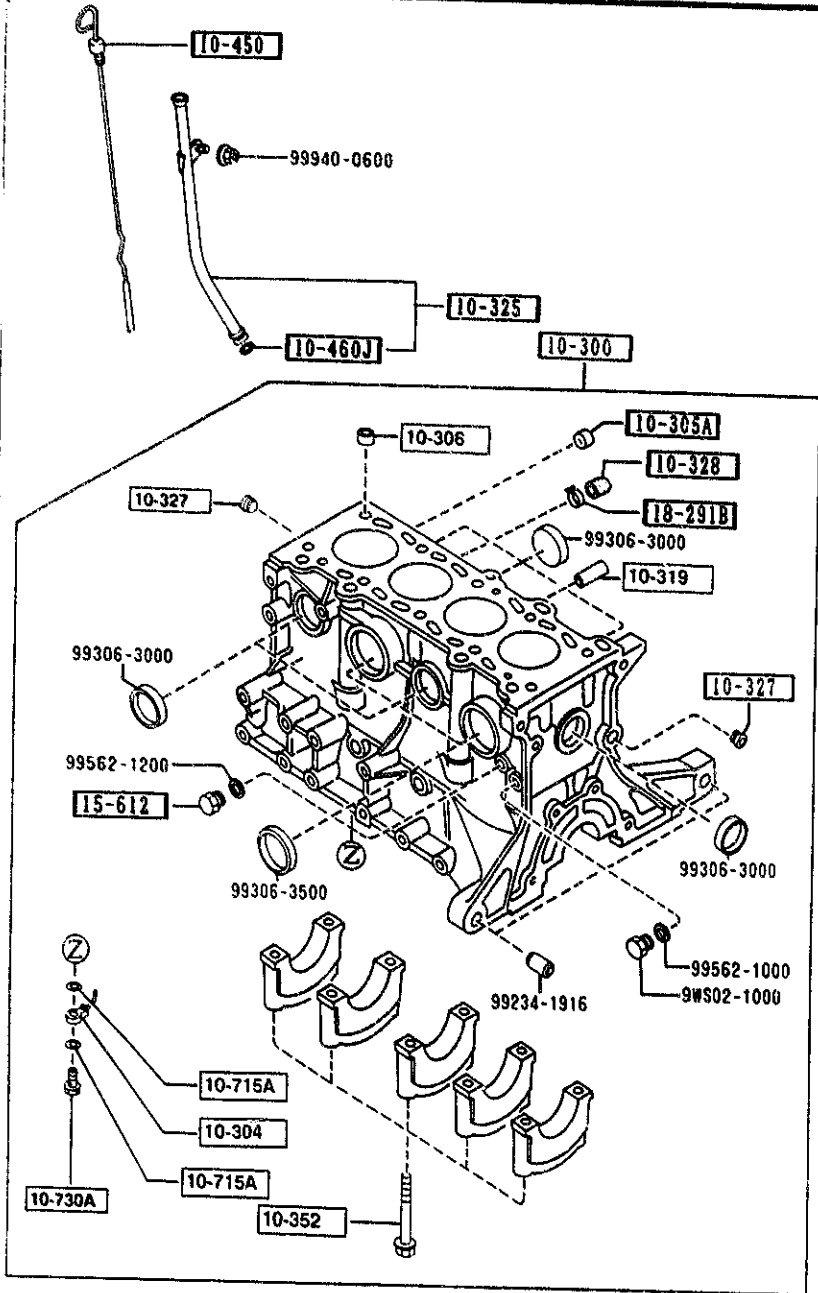
1993-12



PART NO.	QTY	MODEL/RESTRICTION	MODEL/RESTRICTION	MODEL/RESTRICTION	FROM 10
10-300		BLOCK, CYLINDER			
B64J-10-300	1				
10-304		JET, OIL			
B660-10-580A	4				
10-305A		PLUG			
B366-10-305	1				
10-306		PIN, TUBULAR			
B630-10-306	2				
10-319		JOINT			
B630-10-319	1				
10-325		PIPE, OIL LEVEL GAUGE			
B61P-10-440	1				
10-327		PLUG, BLIND			
Q221-10-327	2				
10-328		COVER, BLIND-CYL. BLO CK			
B660-10-328	1				
10-352		BOLT, BEARING CAP			
B630-10-352	10				
10-450		GAUGE, OIL LEVEL			
B61P-10-450C	1				
10-460J		RING, 'O'			
99541-00907	1				
10-715A		GASKET, OIL JET			
SE01-10-715	8				
10-730A		VALVE, OIL JET			
SE01-10-730	4				
15-612		PLUG			
SE01-15-612	1				

1030 CYLINDER BLOCK

1030 -2 M CYLINDER BLOCK



PART NO.	QTY	MODEL/RESTRICTION	MODEL/RESTRICTION	MODEL/RESTRICTION	FROM TO
18-291B		CLAMP, HOSE			
R230-15-538	1				

AUNA02

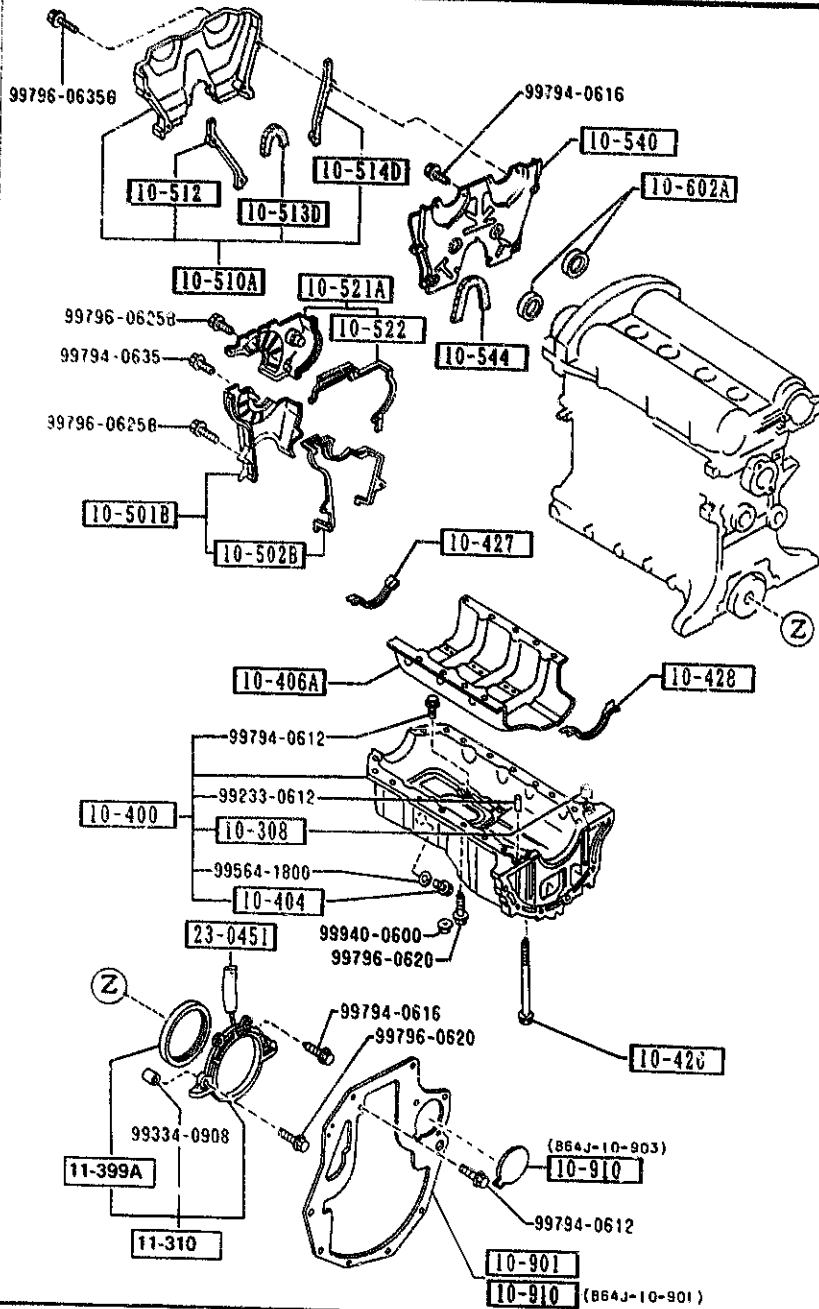
CAT. AUNA02-07

1993-12

1-H 3

1040 OIL PAN & TIMING COVER

1040 -1 OIL PAN & TIMING COVER



PART NO.	QTY	MODEL/RESTRICTION	MODEL/RESTRICTION	MODEL/RESTRICTION	FROM 10
10-308		PIN, TUBULAR			
B6F4-10-308	1				
10-400		PAN, OIL			
B6Y0-10-400C	1				
10-404		PLUG, DRAIN			
B6S7-10-404A	1				
10-406A		PLATE, OIL BAFFLE-CYL BLK			
B61P-10-40YA	1				
10-426		BOLT			
B6S7-10-465	2				
10-427		GASKET, OIL PAN			
B6F4-10-427	1				
10-428		GASKET, OIL PAN			
B6F4-10-428	1				
10-501B		COVER, TIMING BELT-LW R			
B660-10-500E	1				
10-502B		GASKET, T.B. COVER LWR NON ASBESTOS			
B660-10-502B	1				
10-510A		COVER (UP.), TIMING CH AIN			
B61P-10-510	1				
10-512		GASKET (L) NON ASBESTOS			
B62P-10-512	1				
10-513D		GASKET (INN), TIMING B ELT (L) NON ASBESTOS			
B61P-10-513	1				
10-514D		GASKET (C), TIMING BEL T (L) NON ASBESTOS			
B61P-10-514	1				

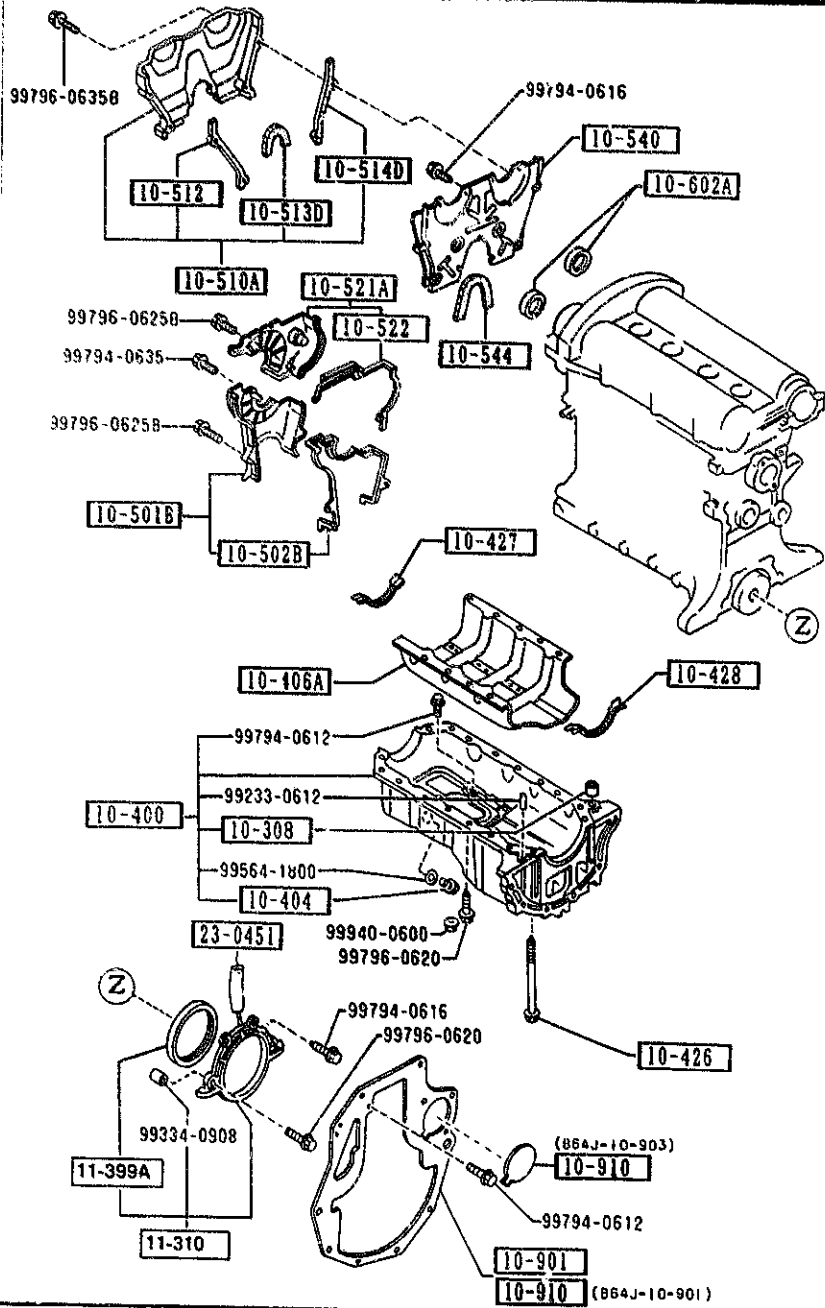
AUNA02

CAT. AUNA02-07

1993-12

1040 OIL PAN & TIMING COVER

1040 -2 * OIL PAN & TIMING COVER



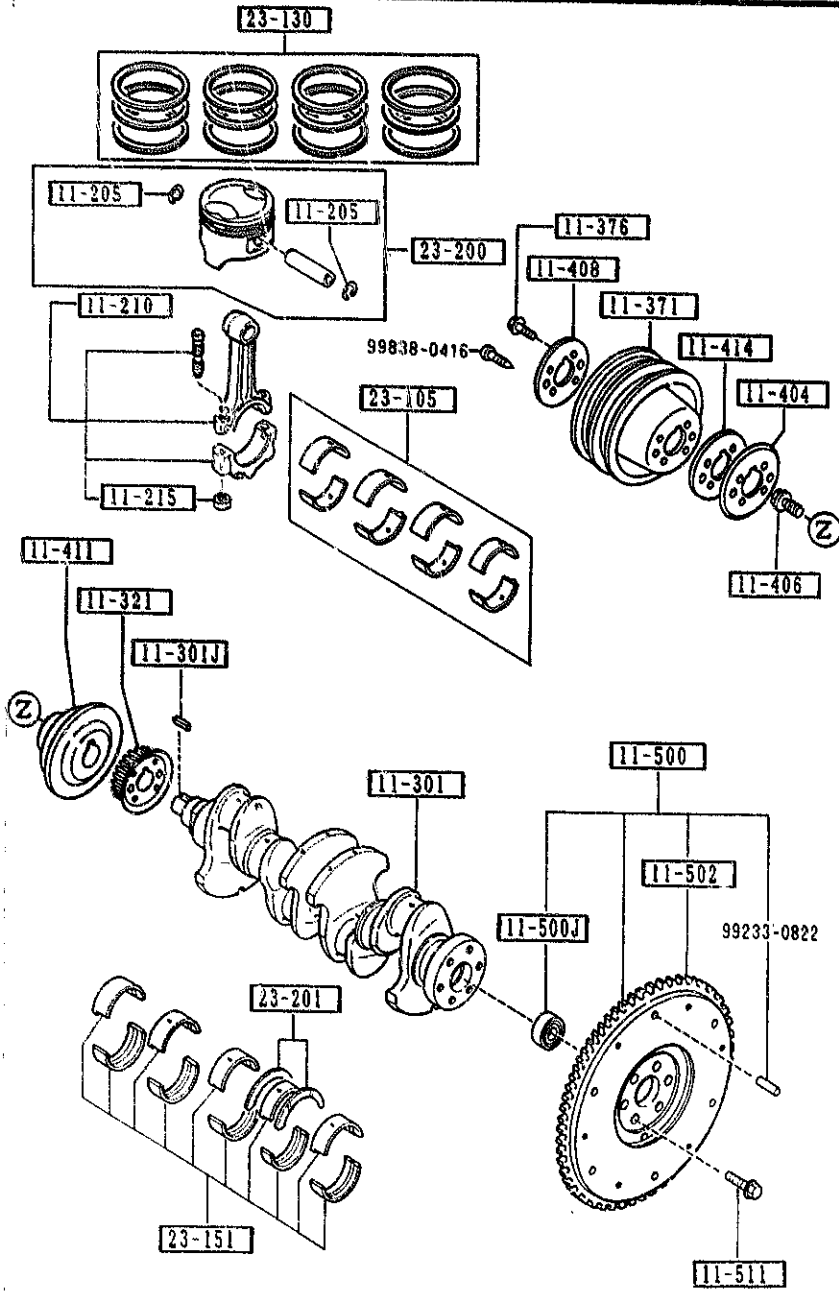
PART NO.	QTY	MODEL/RESTRICTION	MODEL/RESTRICTION	MODEL/RESTRICTION	FROM-TO
10-521A B660-10-520B	1	COVER, TIMING BELT-C.			
10-522 B660-10-522	1	GASKET, T. BELT COVER-C NON ASBESTOS			
10-540 B61P-10-540B AN(B61P-10-540C)	1	PLATE, SEAL-T. BELT CO VER U			-1701
B61P-10-540C	1				1701-
10-544 B61P-10-544	1	RUBBER, SEAL-SEAL PLA TE			
10-602A F801-10-602 A (F285-10-602)	2	SEAL, OIL			-0B19
F285-10-602	2				0B19-
10-901 B61P-10-901A	1	PLATE, END (MT)			
10-910 B64J-10-901	1	COVER, END PLATE (AT)			
B64J-10-903	1	(AT)			
11-310 B366-11-310B AN(B366-11-310C)	1	COVER, REAR			-0B26
B366-11-310C	1				0B26-
11-399A B630-11-312 A (BP05-11-312)	1	SEAL, OIL-CRANKSHAFT			-0B26
BP05-11-312	1				0B26-
23-0451 8527-77-739	1	TUBE, SILICON			
0B19 NA35M-219322 0B26 NA35M-220046 1701 NA35M-235561					

AUNA02

CAT. AUNA02-07

1993-12

1-J 3

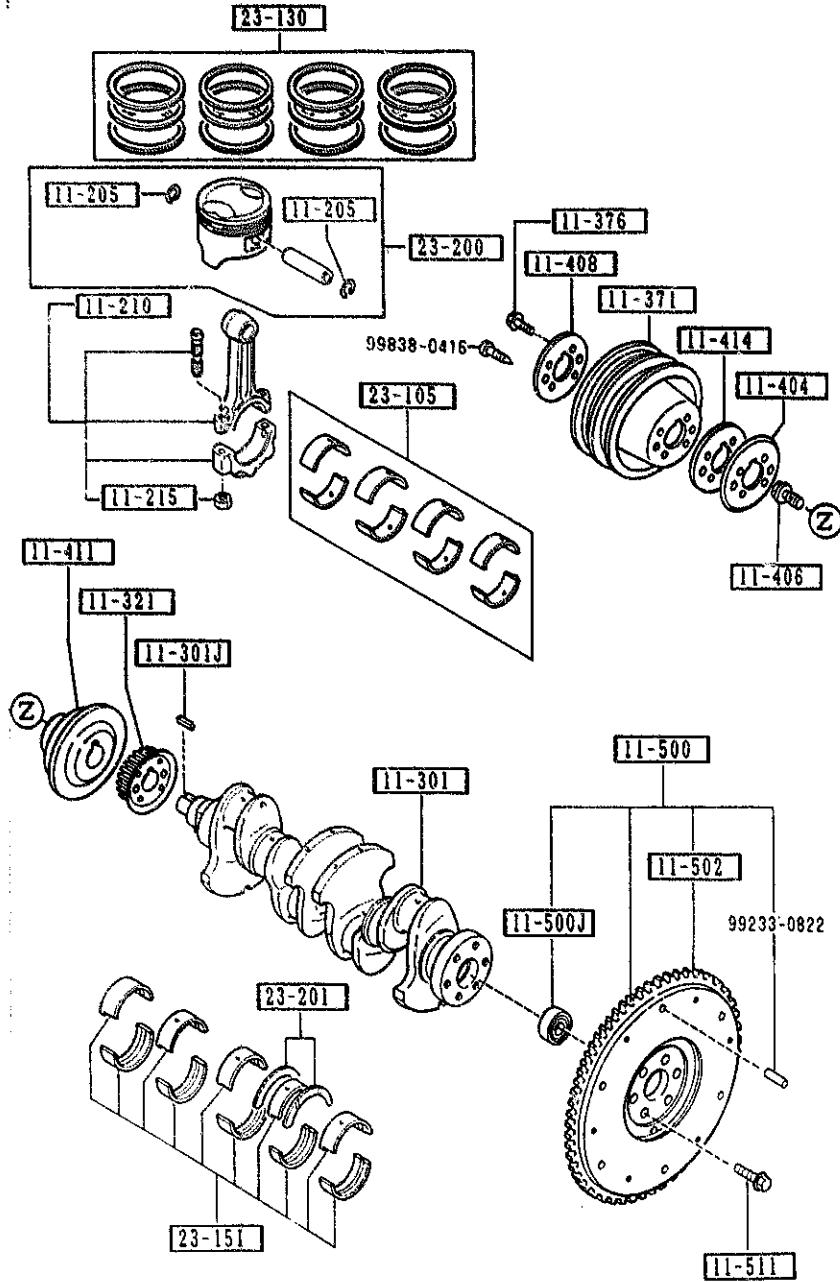


PART NO.	QTY	MODEL/RESTRICTION	MODEL/RESTRICTION	MODEL/RESTRICTION	FROM-TO
11-205		CLIP			
0221-11-205	8				
11-210		ROD, CONNECTING			
B6S7-11-210D	4				
11-215		NUT, CONNECTING ROD			
B6S7-11-215A	8				
11-301		CRANKSHAFT			
B616-11-300B	1				-0910
B6S7-11-300	1				0910-
11-501J		KEY, WOODRUFF-PULLEY			
B630-11-317A	1				-0910
B3C7-11-317	1				0910-
11-321		PULLEY, TIMING BELT			
B366-11-321A	1				-0910
B3C7-11-321	1				0910-
11-371		PULLEY, CRANKSHAFT			
B6S7-11-401A	1				-0910
B6S8-11-401	1				0910-
11-376		BOLT, PULLEY			
B631-11-405	4				-0910
B3C7-11-405	4				0910-0C01
JF01-11-405	4				0C01-
11-404		PLATE, TIMING BELT GUIDE			
B541-11-404	1				-0901
A (B541-11-404A)	1				0901-0910
B541-11-404A	1				
11-406		BOLT, LOCK-C. SHAFT PULLEY			
B630-11-406C	1				-0910
B3C7-11-406	1				0910-

0901 NA35M-208969
 0910 NA35M-209446
 0C01 NA35M-220813

1100 PISTON, CRANKSHAFT & FLYWHEEL

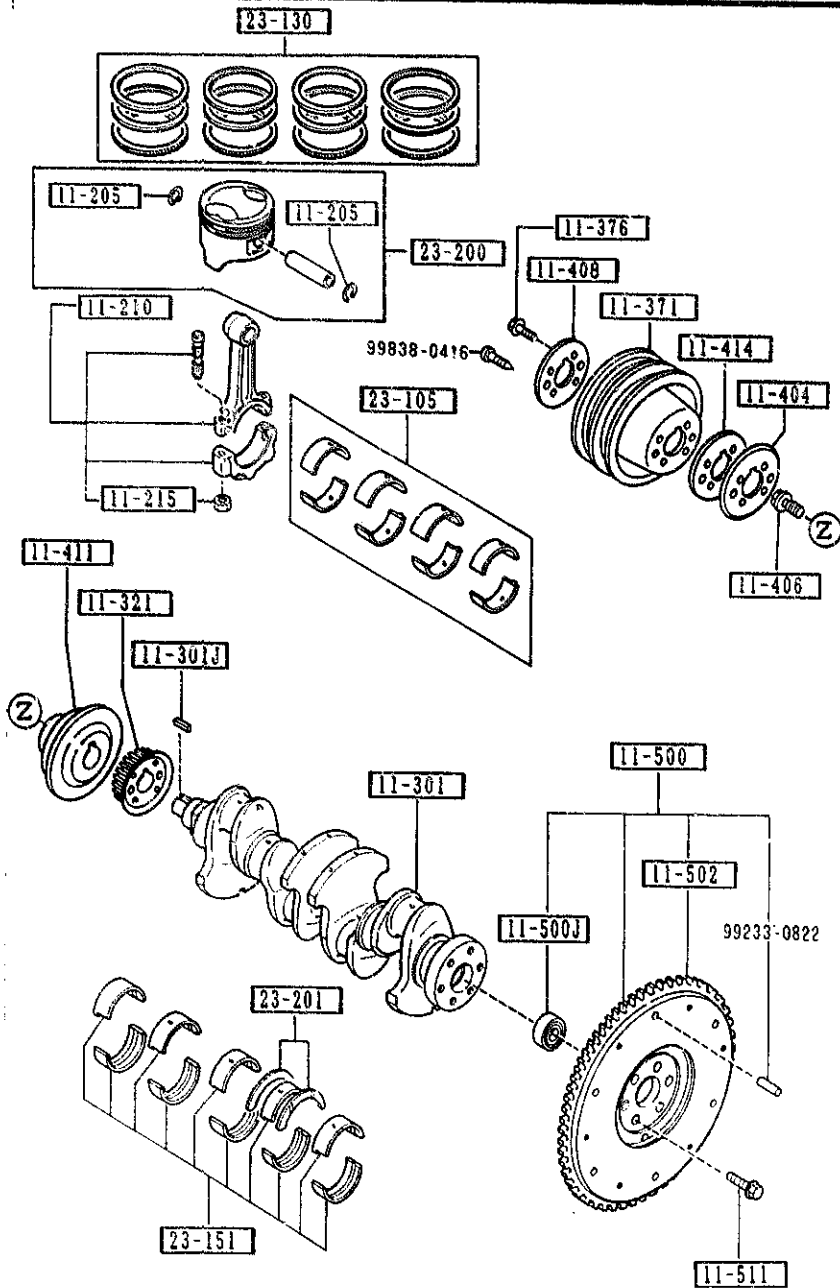
1100 -2 PISTON, CRANKSHAFT & FLYWHEEL



PART NO.	QTY	MODEL/RESTRICTION	MODEL/RESTRICTION	MODEL/RESTRICTION	FROM TO
11-408		PLATE, CRANKSHAFT PULLEY			
B630-11-408B	1				-0910
B3C7-11-408	1				0910-
11-411		BOSS, PULLEY			
B3C7-11-400	1				0910-
11-414		PLATE (OUT), TIMING BELT			
B631-11-414	1				-0910
11-500		WHEEL, FLY			
B61P-11-500	1	(MT)			
11-500J		BEARING, BALL-FLY WHEEL			
F801-11-303	1	(MT)			
11-502		GEAR, RING-FLY WHEEL			
B367-11-502	1	(MT)			
11-511		BOLT, LOCK-FLYWHEEL			
F201-11-511	6	(MT)			
23-105		METAL SET, CONN. ROD			
B6Y1-11-SE0	1	STD.			
B6Y1-11-SFX	1	O.S. 0.50			
B6Y1-11-SFY	1	O.S. 0.75			
B6Y1-11-SF0	1	O.S. 0.25			
23-130		RING SET, PISTON			
B6Y3-11-SC0		STD.			
A (B6Y3-11-SC0A)	1				-2101
B6Y4-11-SC0A		STD.			
A (B6Y4-11-SC0B)	1				-2101
B6Y3-11-SDX		O.S. 0.50			
A (B6Y3-11-SDXA)	1				-2101
B6Y4-11-SDXA		O.S. 0.50			
A (B6Y4-11-SDXB)	1				-2101
B6Y3-11-SD0		O.S. 0.25			
A (B6Y3-11-SD0A)	1				-2101
0910 NA35MM-209446					
2101 NA35MM-313914					

1100 PISTON, CRANKSHAFT & FLYWHEEL

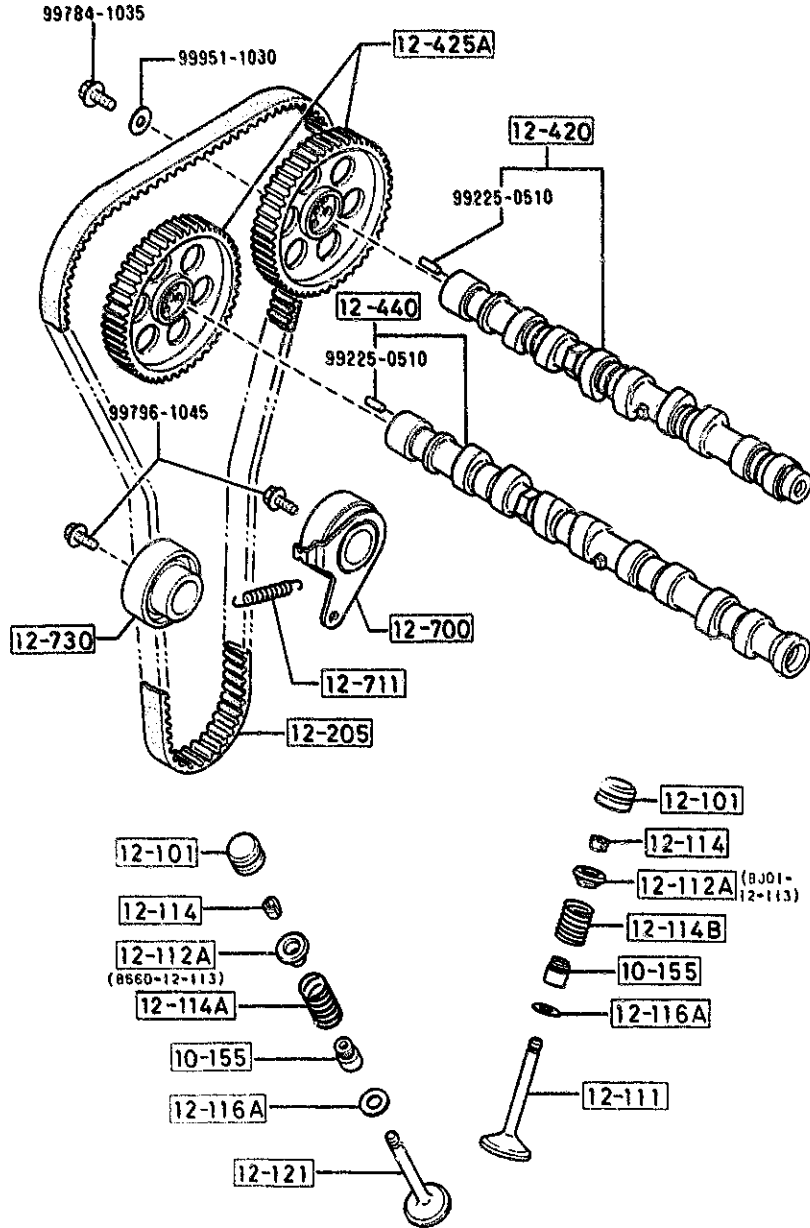
1100 -3 * PISTON, CRANKSHAFT & FLYWHEEL



PART NO.	QTY	MODEL/RESTRICTION	MODEL/RESTRICTION	MODEL/RESTRICTION	FROM 10
CONT'D					
B6Y4-11-SD0A	1	O.S. 0.25			-2101
A (B6Y4-11-SD0B)					
B6Y3-11-SC0A	1	STD. (AT)			2101-
B6Y4-11-SC0B	1	STD. (MT)			2101-
B6Y3-11-SDXA	1	D.S. 0.50 (AT)			2101-
B6Y4-11-SDXB	1	D.S. 0.50 (MT)			2101-
B6Y3-11-SD0A	1	O.S. 0.25 (AT)			2101-
B6Y4-11-SD0B	1	O.S. 0.25 (MT)			2101-
23-151		METAL SET, MAIN BRG.			
B6Y2-11-S00	1	STD.			
B6Y1-11-SHX	1	O.S. 0.50			
B6Y1-11-SH0	1	O.S. 0.25			
23-200		PISTON SET			
B6Z2-11-SA0C	4	STD. (MT)			
B6Z5-11-SA0	4	STD. (AT)			
B6Z2-11-SBXC	4	O.S. 0.50 (MT)			
B6Z5-11-SBX	4	O.S. 0.50 (AT)			
B6Z2-11-SB0C	4	O.S. 0.25 (MT)			
B6Z5-11-SB0	4	O.S. 0.25 (AT)			
23-201		METAL SET, THRUST			
B6Y1-11-SJ0	1	STD.			
B6Y1-11-SKX	1	O.S. 0.50			
B6Y1-11-SKY	1	O.S. 0.75			
B6Y1-11-SK0	1	O.S. 0.25			
2101 NA35MM-313914					

1200 VALVE SYSTEM

1200 -2 * VALVE SYSTEM

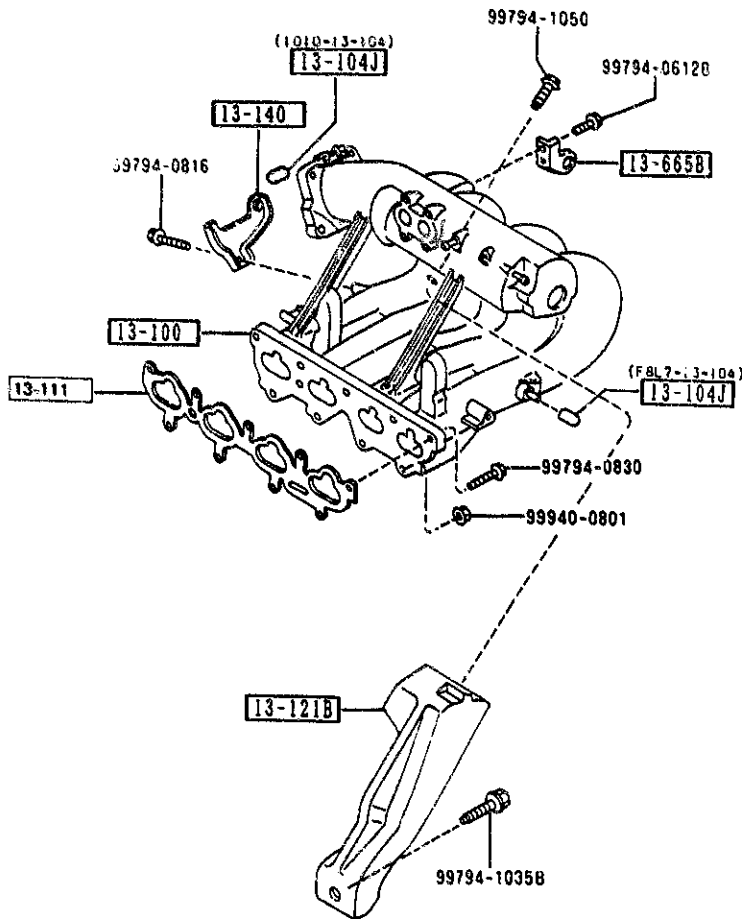


PART NO.	QTY	MODEL/RESTRICTION	MODEL/RESTRICTION	MODEL/RESTRICTION	FROM-TO
12-440		CAMSHAFT, EXHAUST			
B6A7-12-440A	1	(AT)			
B61P-12-440	1	(MT)			
12-700		TENSIONER, T. BELT			
B660-12-700C	1				-1121
AN(B660-12-700D)					
B660-12-700D	1				1121-
12-711		SPRING, TENSIONER			
B660-12-711C	1				
12-730		IDLER, TIMING BELT			
B660-12-730B	1				-1101
AN(B660-12-730C)					
B660-12-730C	1				1101-

1101 NA35**223636
1121 NA35**226079

1300 -1 * INLET MANIFOLD

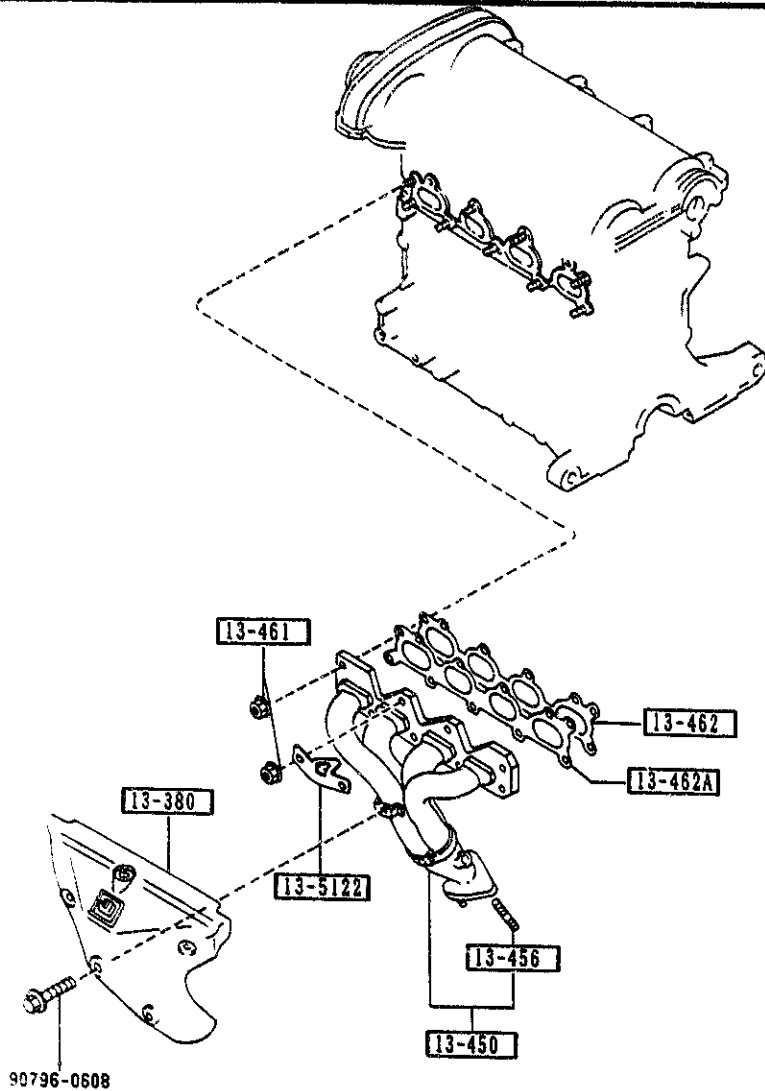
1300 INLET MANIFOLD



PART NO.	QTY	MODEL/RESTRICTION	MODEL/RESTRICTION	MODEL/RESTRICTION	FROM TO
13-100		MANIFOLD, INLET			
B61P-13-100D	1				
13-104J		CAP, BLIND			
F8L7-13-104	1				
1010-13-104	1				
13-111		GASKET, IN. MANIFOLD NON ASBESTOS			
B61P-13-111	1				
13-121B		STAY, MANIFOLD			
B61P-13-121	1				
13-140		BRKT, SURGE TANK			
B61P-13-140	1				
13-665B		BRACKET, ACCEL WIRE			
B61P-13-665	1				

1310 -1 * EXHAUST MANIFOLD

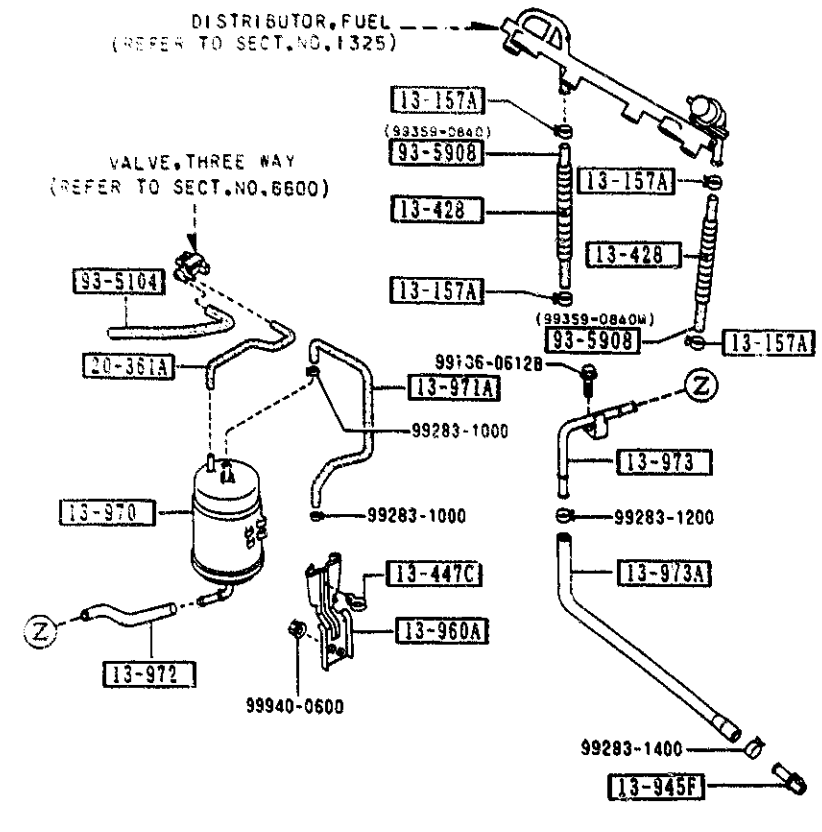
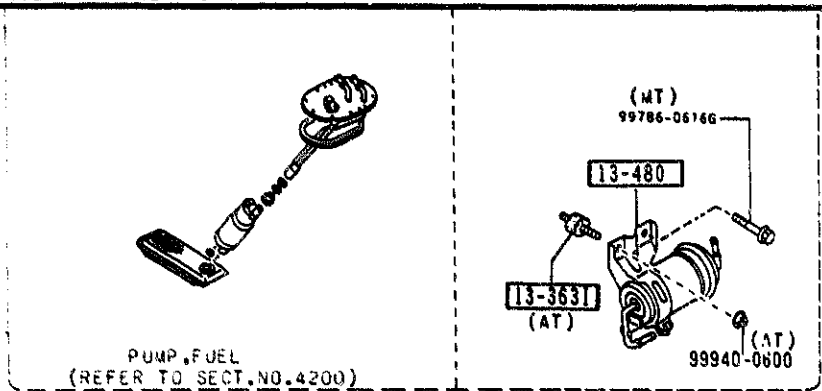
1310 EXHAUST MANIFOLD



PART NO.	QTY	MODEL/RESTRICTION	MODEL/RESTRICTION	MODEL/RESTRICTION	FROM TO
13-380		INSULATOR, HEAT			
B61P-13-380B A (B61P-13-380C)	1				-0821
B61P-13-380C	1				0821-
13-450		MANIFOLD, EXHAUST			
B61P-13-450A A (B61P-13-450B)	1				-0821
B61P-13-450B	1				0821-
13-456		STUD			
2306-13-456	3				
13-461		NUT, EX. MANIFOLD			
2457-13-465	9				
13-462		GASKET, EX. MANIFOLD NON ASBESTOS			
B695-13-460A	1				
13-462A		GASKET, EX. MANIFOLD			
B695-13-462	1				
13-5122		BRACKET, EX. MANIFOLD			
B61P-13-468	1				

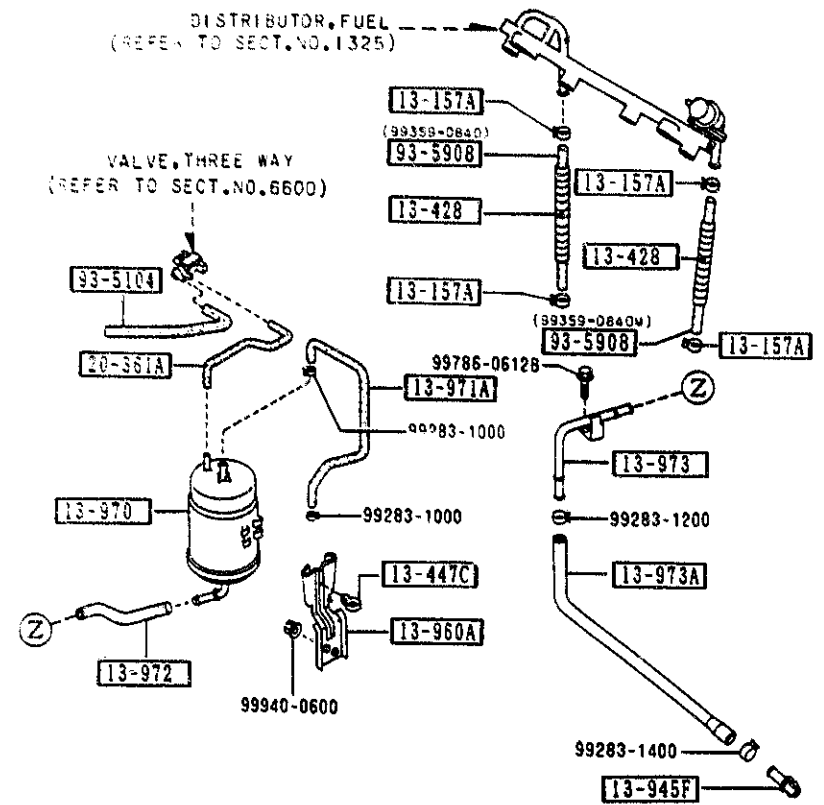
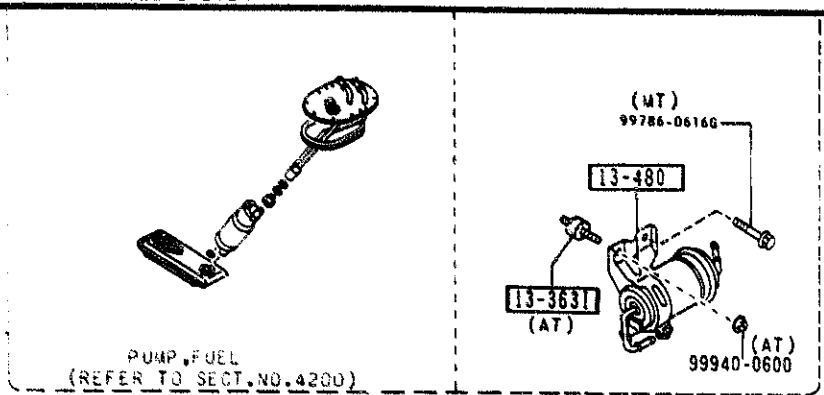
0821 NA35**-206810

1320 FUEL SYSTEM

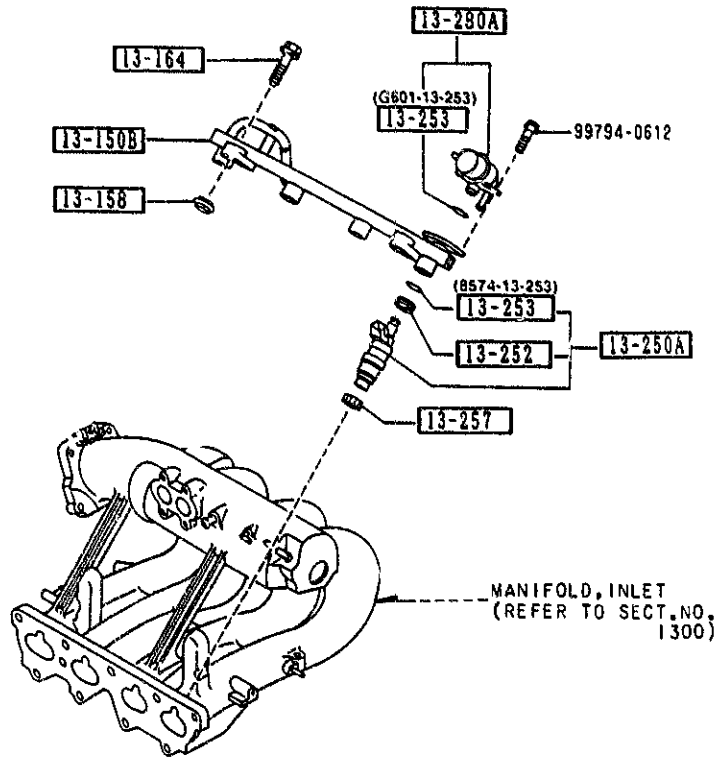


PART NO.	QTY	MODEL/RESTRICTION	MODEL/RESTRICTION	MODEL/RESTRICTION	FROM TO
13-157A		CLIP			
8574-13-157	4				
13-363I		RUBBER, INSULATION			
N326-13-363B	2	(AT)			
13-428		PROTECTOR			
B61P-13-428	2				
13-447C		CLAMP, HOSE			
B61P-13-447	1				
13-480		FILTER, FUEL			
B61P-20-490	1				
13-945F		CONNECTOR			
JE16-13-298	1				
13-960A		BRACKET, CANISTER			
B61P-13-960	1				
13-970		CANISTER			
B61P-13-970	1				
13-971A		HOSE, VACUUM			
B61P-13-971	1				
13-972		HOSE, EVAPORATION			
B61P-13-972A	1				
13-973		HOSE, DRAIN			
B61P-13-97YA	1				
13-973A		HOSE, EVAPORATION			
B61P-13-973A	1				
20-361A		TUBE, VACUUM			
B61P-20-361	1				
93-5104		HOSE			
99351-04999	1				

1320 FUEL SYSTEM



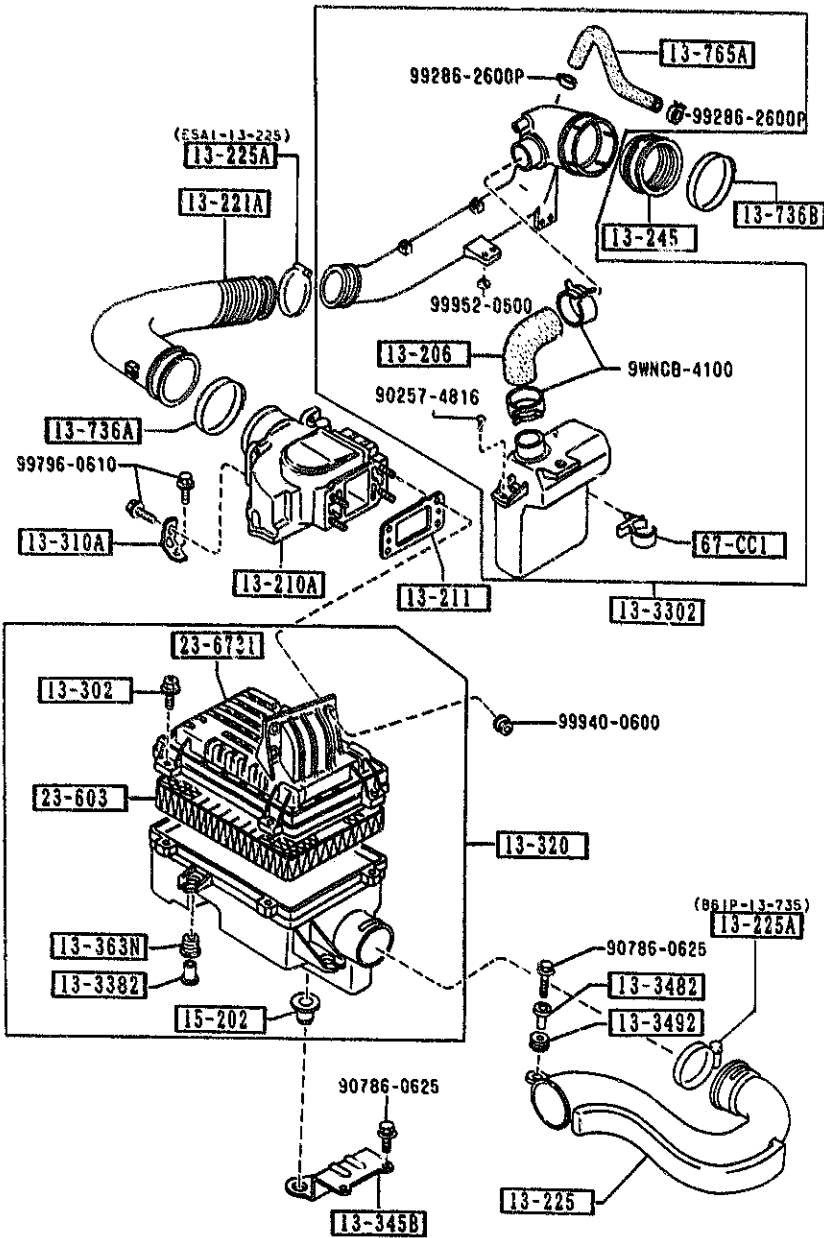
PART NO.	QTY	MODEL/RESTRICTION	MODEL/RESTRICTION	MODEL/RESTRICTION	FROM-TO
93-5908		HOSE			
99359-0840	1				
99359-0840M	1				



PART NO.	QTY	MODEL/RESTRICTION	MODEL/RESTRICTION	MODEL/RESTRICTION	FROM 10
13-150B		DISTRIBUTOR, FUEL			
B61P-13-150	1				
13-158		INSULATOR, FUEL DIST.			
B67R-13-158	2				
13-164		BOLT, FUEL DISTRIBUTOR			
F883-13-164	2				
13-250A		INJECTION, FUEL-M.P.E. LECT.			
B6S7-13-250	4				
13-252		GROMMET			
8574-13-252	4				
13-253		RING, 'O'			
G601-13-253	1				
3574-13-253	4				
13-257		INSULATOR, INJECTION			
JE06-13-257	4				
13-280A		PRESSURE RG., FUEL			
B61P-13-280	1				

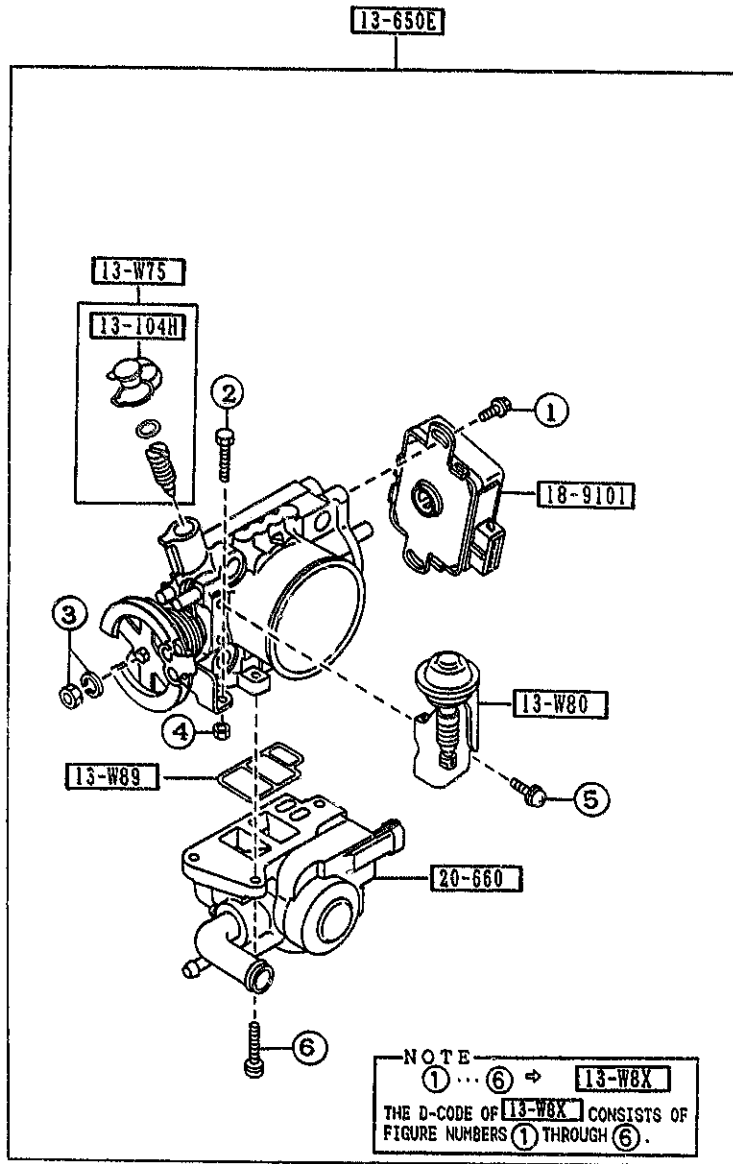
1330 AIR CLEANER

1330 -1 AIR CLEANER



PART NO.	QTY	MODEL/RESTRICTION	MODEL/RESTRICTION	MODEL/RESTRICTION	FROM-10
13-206		HOSE,AIR			
B61P-13-206A	1				
13-210A		SENSOR,AIR FLOW			
B6S7-13-210A	1				
13-211		GASKET			
B6S7-13-211A	1	NON ASBESTOS			
13-221A		HOSE,AIR			
B61P-13-221B	1				
13-225		DUCT,FRESH AIR			
B61P-13-200B	1				-1801
A (B61P-13-200C)					
B61P-13-200C	1				1801-
13-225A		CLAMP,HOSE			
E5A1-13-225	1				
B61P-13-735	1				
13-245		JOINT,RUBBER			
B61P-13-245	1				
13-302		BOLT,AIR CLEANER			
F201-13-302A	5				
13-310A		BRKT,AIR FLOW METER			
B61P-13-311B	1				
13-320		HOUSING,AIR CLEANER			
B61P-13-320A	1				
13-3302		TUBE,AIR INTAKE			
B61P-13-330E	1	(MT)			
B64J-13-330	1	(AT)			
13-3382		SPACER			
FES1-13-329	3				

1801 NA35MM-235561

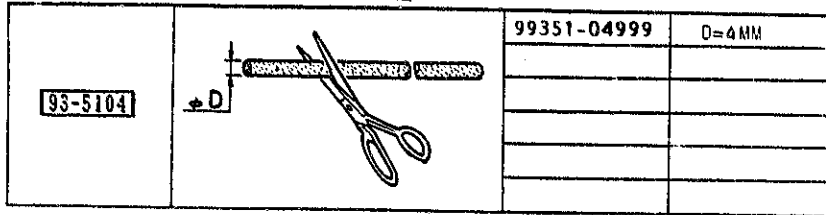
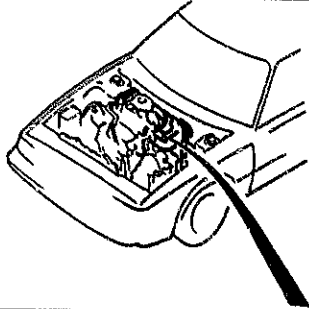


PART NO.	QTY	MODEL/RESTRICTION	MODEL/RESTRICTION	MODEL/RESTRICTION	FROM-TO
13-W75 B551-13-W75A	1	SCREW SET, IDLE ADJUST-TH.			
13-W8X B551-13-W8X	1	SCREW & WASHER SET			
13-W80 B61P-13-W80	1	BRKT SET, DASH POT-TH ROT			
13-W89 B551-13-W89	1	GASKET, THERMO			
13-104H B551-13-104	1	CAP, BLIND			-1C01
13-650E B61P-13-640B B64J-13-640	1 (MT) 1 (AT)	BODY, THROTTLE			
18-9101 B658-18-911 B630-18-911	1 (AT) 1 (MT)	SENSOR, THROTTLE POSITION			
20-660 B61P-20-660	1	VALVE, IDLE AIR CONTROL			

1C01 NA35**H-309801

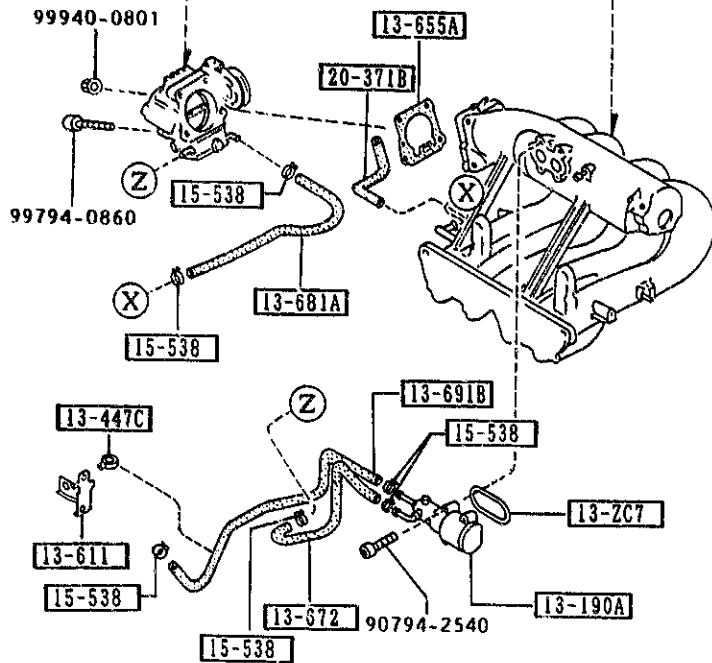
1370 EMISSION CONTROL SYSTEM (INLET SIDE)

1370 -1 * EMISSION CONTROL SYSTEM (INLET SIDE)

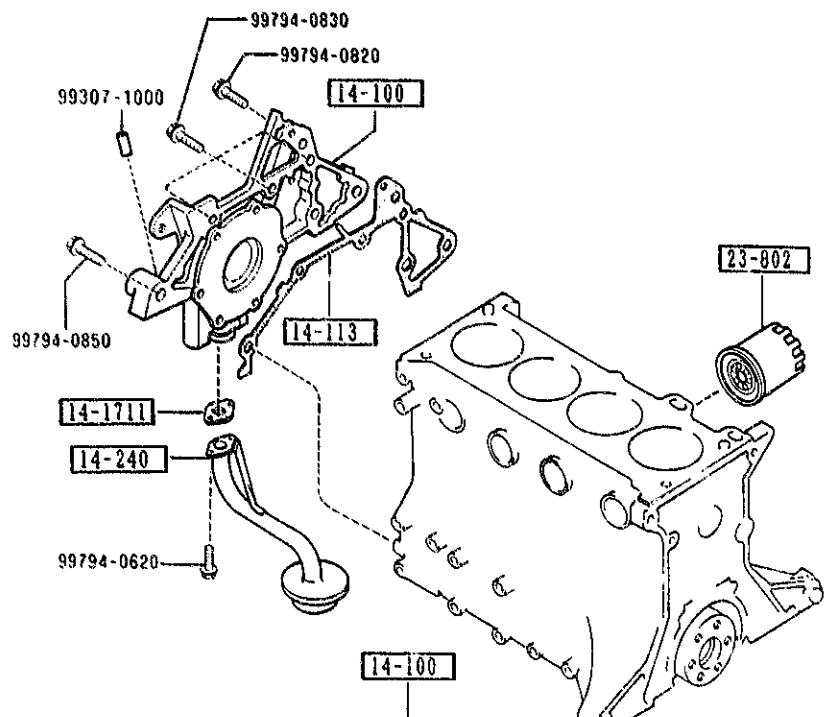


93-5104 BODY, THROTTLE
(REFER TO SECT. NO. 1364)

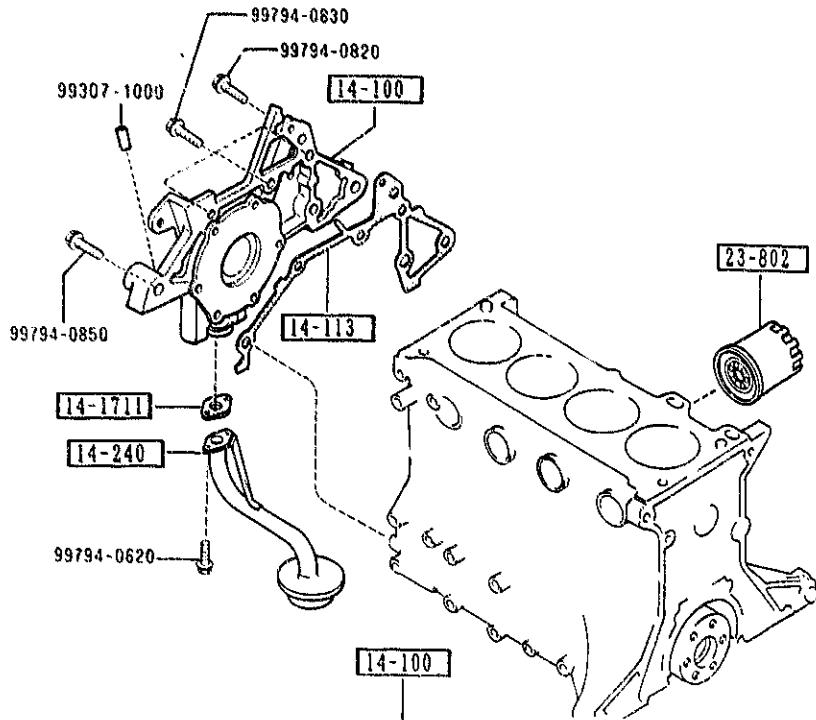
99351-04999 MAMIFOLD, INLET
(REFER TO SECT. NO. 1300)



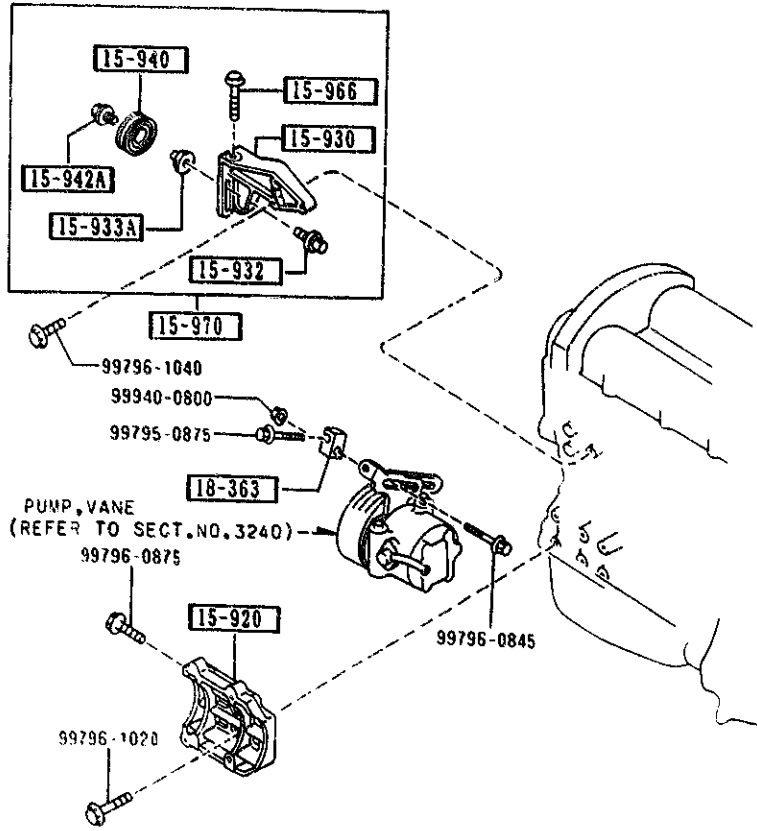
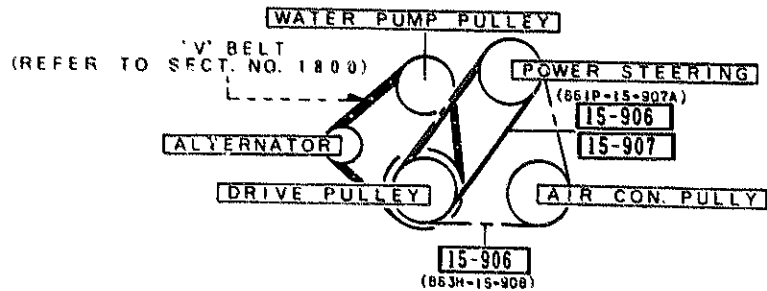
PART NO.	QTY	MODEL/RESTRICTION	MODEL/RESTRICTION	MODEL/RESTRICTION	FROM-TO
13-2C7		RING, "O"-AIR VALVE			
B6S7-13-2C7	1				
13-190A		VALVE, AIR			
B61P-13-190A	1 (MT)				
B64J-13-190	1 (AT)				
13-447C		CLAMP, HOSE			
B61P-13-447	1				
13-611		BRACKET			
B61P-13-685A	1				
13-655A		GASKET			
B6S7-13-655	1	NON ASBESTOS			
13-672		HOSE, WATER			
B61P-13-682A	1				
13-681A		HOSE, WATER			
B61P-13-681B	1				
13-691B		HOSE, WATER			
B61P-13-691A	1				
15-538		CLAMP, WATER HOSE			
JF02-15-538	6				
20-371B		TUBE, VACUUM			
B61P-20-371	1				
93-5104		HOSE			
99351-04999	1				



PART NO.	QTY	MODEL/RESTRICTION	MODEL/RESTRICTION	MODEL/RESTRICTION	FROM TO
10-602A		SEAL, OIL			
B630-10-602	1				-0910
B3C7-10-602 AN(B3C7-10-602A)	1	NON ASBESTOS			0910-0801
B3C7-10-602A	1	NON ASBESTOS			0801-
14-100		PUMP, OIL			
B660-14-100E	1				-0910
B6S8-14-100 AN(B6S8-14-100A)	1				0910-0801
B6S8-14-100A A (B6S8-14-100B)	1				0801-0808
B6S8-14-100B A (B6S8-14-100C)	1				0808-1801
B6S8-14-100C	1				1801-
14-113		GASKET, OIL PUMP ASBESTOS			
B630-14-113	1				
14-115		PLUNGER, CONTROL			
0221-14-115	1				
14-116		SPRING, PRESSURE			
0324-14-116A	1				-1801
BPC8-14-116	1				1801-
14-118		SHEET, SPRING			
0222-14-118	1				
14-120		COVER, OIL PUMP			
B630-14-121	1				-0910
B3C7-14-121	1				0910-
14-124		SCREW, OIL PUMP COVER			
FE1H-14-124	7				
14-132B		GEAR, INNER			
B660-14-132	1				-0910
B6S7-14-132	1				0910-
0910 NA35**209446 0801 NA35**217311 0808 NA35**218223 1801 NA35**306993					

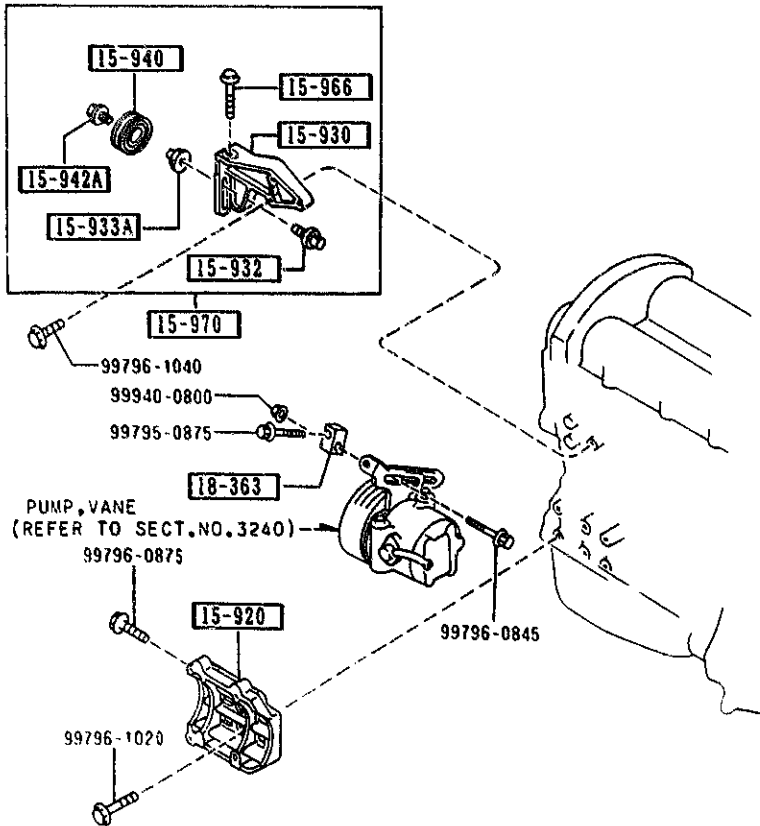
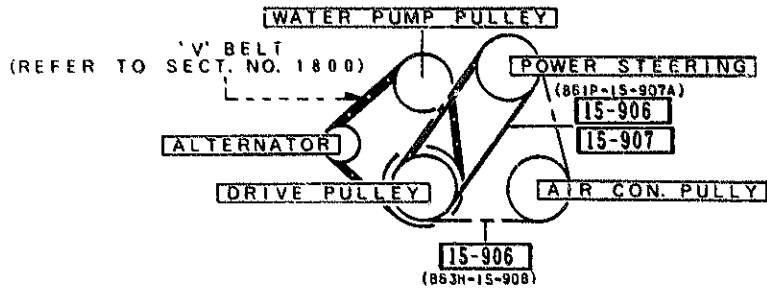


PART NO.	QTY	MODEL/RESTRICTION	MODEL/RESTRICTION	MODEL/RESTRICTION	FROM TO
14-141		GEAR, OUTER			
B660-14-141	1				-0910
B6S7-14-141	1				0910-
14-1711		GASKET, OIL STRAINER ASBESTOS			
0810-14-171A	1				
14-240		STRAINER, OIL			
B61P-14-240	1				
23-802		CARTRIDGE, OIL FILTER			
B6Y1-14-302	1	TOKYO ROKI			
0910 NA35MM-209446					



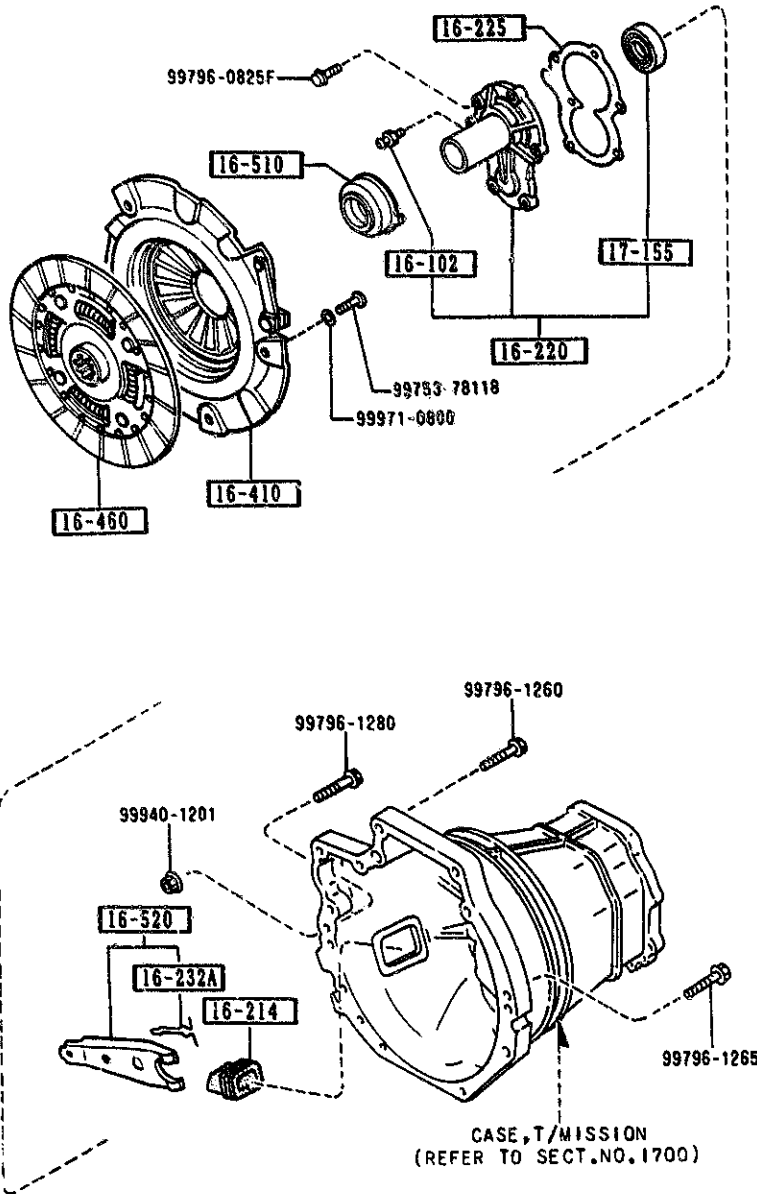
PART NO.	QTY	MODEL/RESTRICTION	MODEL/RESTRICTION	MODEL/RESTRICTION	FROM-TO
15-906		BELT 'V'			
B61P-15-907A	1	L=855 4PK RIB.BELT (W/O AIR-CON., W/ P. S.)			
B63H-15-908	1	L=855 4PK RIB.V. (W/ AIR-CON., W/O P. S.)			
15-907		BELT 'V'			
B63H-15-909	1	L=955 4PK RIB.V. (W/ AIR-CON., W/ P. S.)			
15-920		BRACKET, COMPRESSOR			
MB61P-15-810A	1	(A) (W/AIR CON.)			
15-930		BRACKET, IDLE PULLEY			
BP01-15-951	1	(A) (W/ AIR-CON., W/O P. S.)			
15-932		SHAFT, PULLEY			
B631-15-932	1	(A) (W/ AIR-CON., W/O P. S.)			
15-933A		COLLAR			
BP01-15-933	1	(A) (W/ AIR-CON., W/O P. S.)			
15-940		PULLEY, IDLE			
BP01-15-940	1	(A) (W/ AIR-CON., W/O P. S.)			
15-942A		COLLAR			
E564-15-942	1	(A) (W/ AIR-CON., W/O P. S.)			
15-966		BOLT, ADJUST			
E564-15-934	1	(A) (W/ AIR-CON., W/O P. S.)			
15-970		PULLEY, IDLE			

1580 BRACKET,PULLEY & BELT



PART NO.	QTY	MODEL/RESTRICTION	MODEL/RESTRICTION	MODEL/RESTRICTION	FROM TO
CONT'D BP01-15-930	1	(A) (W/ AIR-CON., W/O P. S.)			
18-363		SPACER, STRAP			
F201-18-363	1	(W/O AIR-CON., W/ P. S.)			

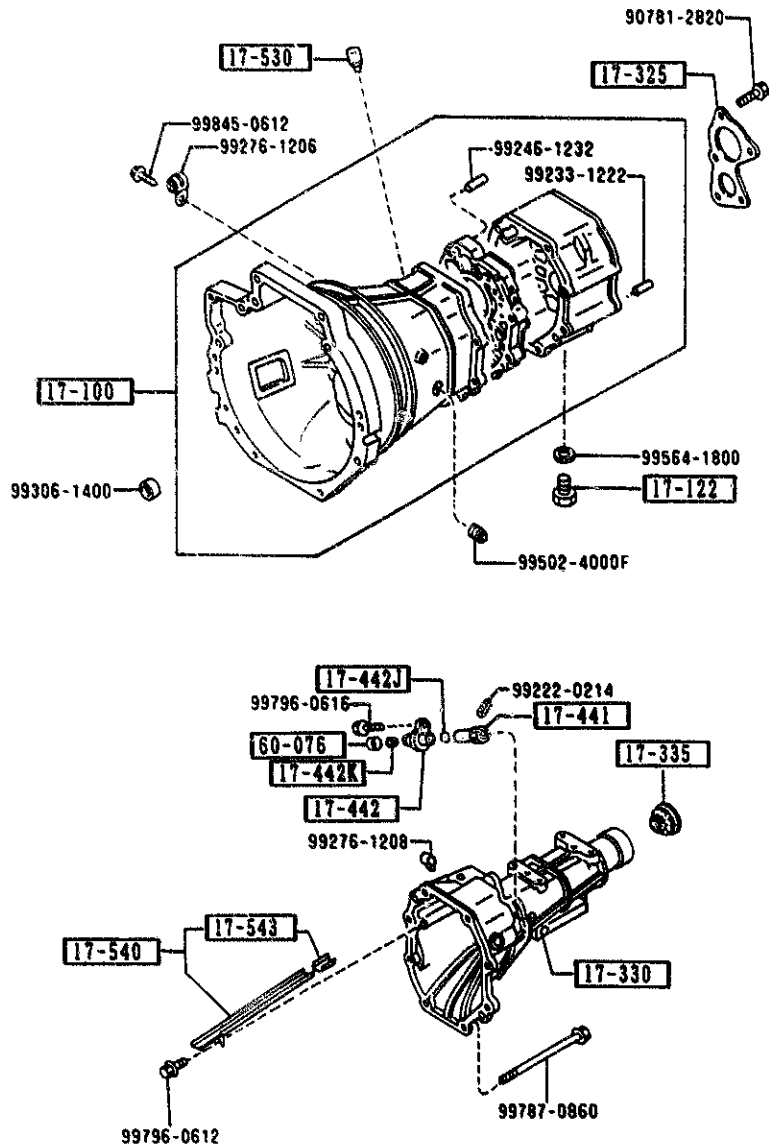
1600 CLUTCH DISC & COVER (MANUAL)



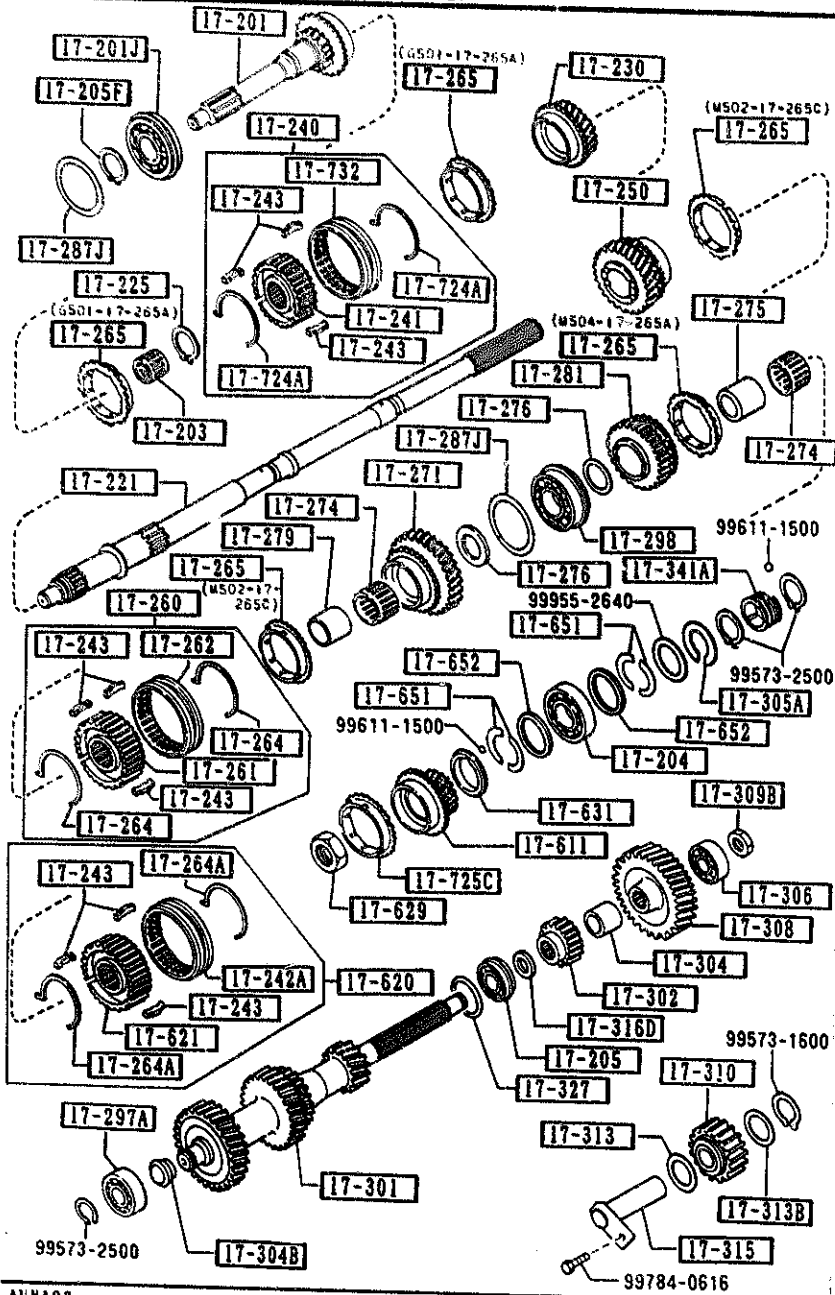
CASE, T/MISSION
(REFER TO SECT. NO. 1700)

PART NO.	QTY	MODEL/RESTRICTION	MODEL/RESTRICTION	MODEL/RESTRICTION	FROM TO
16-102 0603-16-102B	1	PIN, PIVOT-CLUTCH REL FORK			
16-214 FE86-16-214	1	COVER, DUST-CLUTCH FO RK			
16-220 B622-16-220	1	COVER, FRONT CLUTCH			
16-225 FE50-16-225A	1	GASKET, FRONT COVER			
16-232A 1416-16-232A	1	SUPPORTER, FORK			
16-410 B622-16-410	1	COVER, CLUTCH			
16-460 B622-16-460A	1	DISC, CLUTCH ASBESTOS			-2201
B630-16-460	1	NON ASBESTOS			2201-
16-510 B622-16-510	1	COLLAR, CLUTCH REL.			
16-520 B622-16-520	1	FORK, CLUTCH RELEASE			
17-155 H501-17-103	1	SEAL, OIL			
2201 NA35** 316887					

1700 TRANSMISSION CASE (MANUAL)



PART NO.	QTY	MODEL/RESTRICTION	MODEL/RESTRICTION	MODEL/RESTRICTION	FROM IP
17-100		CASE, T/MISSION			
M526-17-100	1				
17-122		PLUG, MAGNET			
0810-17-121	1				
17-325		COVER, BEARING			
8086-17-326	1				
17-330		HOUSING, EXTENSION			
MM519-17-330	1				
17-335		SEAL, OIL			
M507-17-335 A (M507-17-335A)	1				2511
M507-17-335A	1				2511-
17-441		GEAR, DRIVEN			
1472-17-441A	3	N#23			
17-442		SLEEVE, SPEEDOMETER			
1669-17-442B	1				
17-442J		RING, 'O'			
1011-17-443	1				
17-442K		SEAL, OIL			
99586-08166	1				
17-530		BREATHER, AIR-T/MISSION			
0884-17-530	1				
17-540		PASS. OIL			
M509-17-540	1				
17-543		RUBBER, SEAL			
M501-17-543A	1				
60-076		GASKET, GUIDE SEAL-SP			
8092-60-076A	1	EEDO.			
2511 NA35MM-327112					



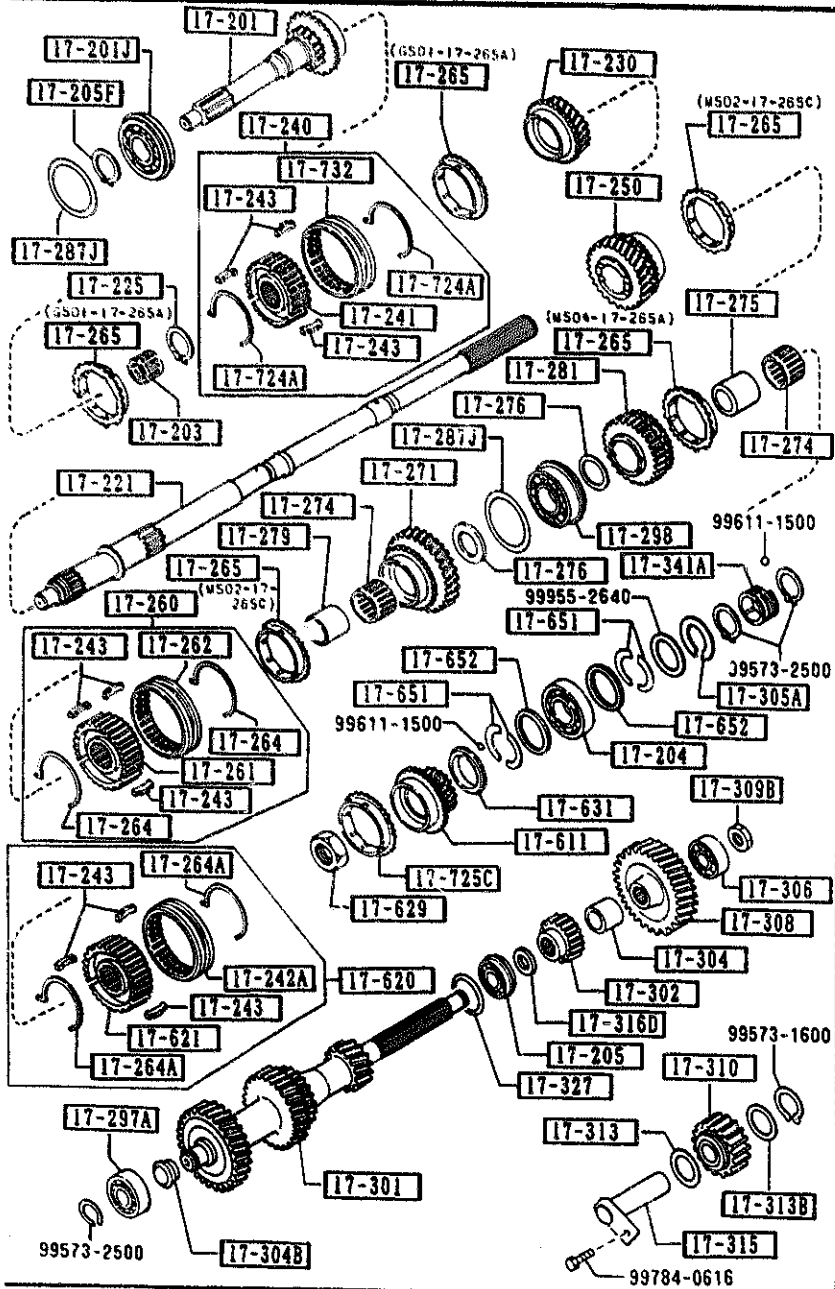
PART NO.	QTY	MODEL/RESTRICTION	MODEL/RESTRICTION	MODEL/RESTRICTION	FROM TO
17-201	1	GEAR, MAIN DRIVE			
M516-17-201	1				
17-201J	1	BEARING, BALL-MAIN DRIVE GEAR			
M502-17-295C	1				
17-203	1	BEARING, NEEDLE			
M501-17-210	1				
17-204	1	BEARING, BALL-MAIN SHAFT			
M503-17-204	1				
17-205	1	BEARING, ROLLER			
R502-17-306A	1				
17-205F	1	RING, RETAINING			
M501-17-205	1				
17-221	1	SHAFT, MAIN			
M505-17-221B	1				
17-225	1	RING, SNAP			
0317-17-225	1				
17-230	1	GEAR, 3RD			
M513-17-231	1				
17-240	1	HUB SET, CLUTCH-3RD & 4TH			-1513
M502-17-240C AN(M502-17-240D)	1				1513-
M502-17-240D	1				
17-241	1	HUB, CLUTCH			-1513
M501-17-241B AN(M501-17-241C)	1				1513-
M501-17-241C	1				
17-242A	1	SLEEVE, CLUTCH HUB			
F401-17-242A	1				
17-243	1	KEY, SYNCHRONIZER			
1513 NA35M-234232					

AUNA02

CAT. AUNA02-07

1993-12

1710 TRANSMISSION GEARS(MANUAL)



PART NO.	QTY	MODEL/RESTRICTION	MODEL/RESTRICTION	MODEL/RESTRICTION	FROM TO
CONT'D M516-17-271A	1				2201-
17-274		BEARING, NEEDLE			
4069-17-283A	2				
17-275		RACE, INNER			
4069-17-284E	1				
17-276		WASHER, THRUST			
0259-17-274A	2	T=3MM			
0259-17-276	2	T=2.2MM			
0259-17-277	2	T=2.7MM			
0259-17-278	2	T=3.2MM			
0259-17-279	2	T=3.7MM			
17-279		SLEEVE, GEAR			
8540-17-275A	1				
17-281		GEAR, REVERSE			
M509-17-281A	1				
17-287J		SHIM, ADJUST			
99963-6310	2	T=0.1MM			
99963-6315	1	T=0.15MM			
99963-6330	2	T=0.3MM			
17-297A		BEARING, BALL-COUNTER SHAFT G.			
M502-17-297A	1				
17-298		BEARING			
M502-17-298A	1				
17-301		GEAR, COUNTER SHAFT			
M528-17-301	1				
2201 NA35MM-316887					

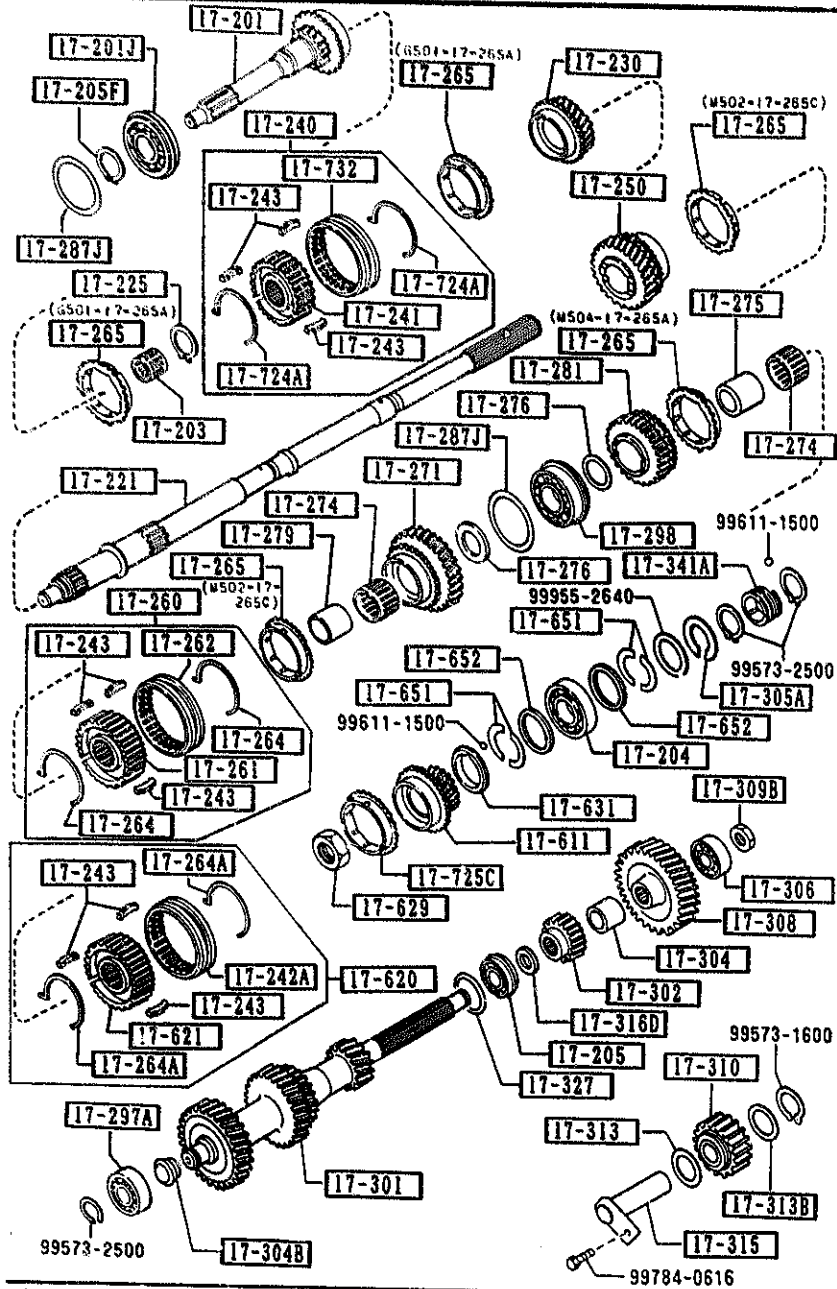
AUNA02

CAT. AUNA02-07

1993-12

1710 TRANSMISSION GEARS(MANUAL)

1710 -4 TRANSMISSION GEARS(MANUAL)



PART NO.	QTY	MODEL/RESTRICTION	MODEL/RESTRICTION	MODEL/RESTRICTION	FROM TO
17-302		GEAR, COUNTER REVERSE			
M512-17-302A	1				
17-304		SPACER			
M504-17-304	1				
17-304B		SPACER			
M501-17-304B	1				
17-305A		RING, RETAINING-BALL BEARING			
0839-17-305B	1				
17-306		BEARING, BALL			
M502-17-299A	1				
17-308		GEAR, COUNTER			
M510-17-308	1				
17-309B		NUT, LOCK-COUNTER SHAFT BR			
M501-17-309	1				
17-310		GEAR, REVERSE IDLE			
M509-17-310A	1				
17-313		WASHER, THRUST-REVERSE IDLE G. T=2MM			
M501-17-313	1				
17-313B		WASHER, THRUST			
4077-17-314A	1	T=2.8MM			
4077-17-315A	1	T=3MM			
4077-17-316	1	T=2.6MM			
17-315		SHAFT, REV. IDLE GEAR			
8086-17-140A	1				
17-316D		SPACER			
R502-17-316	1				

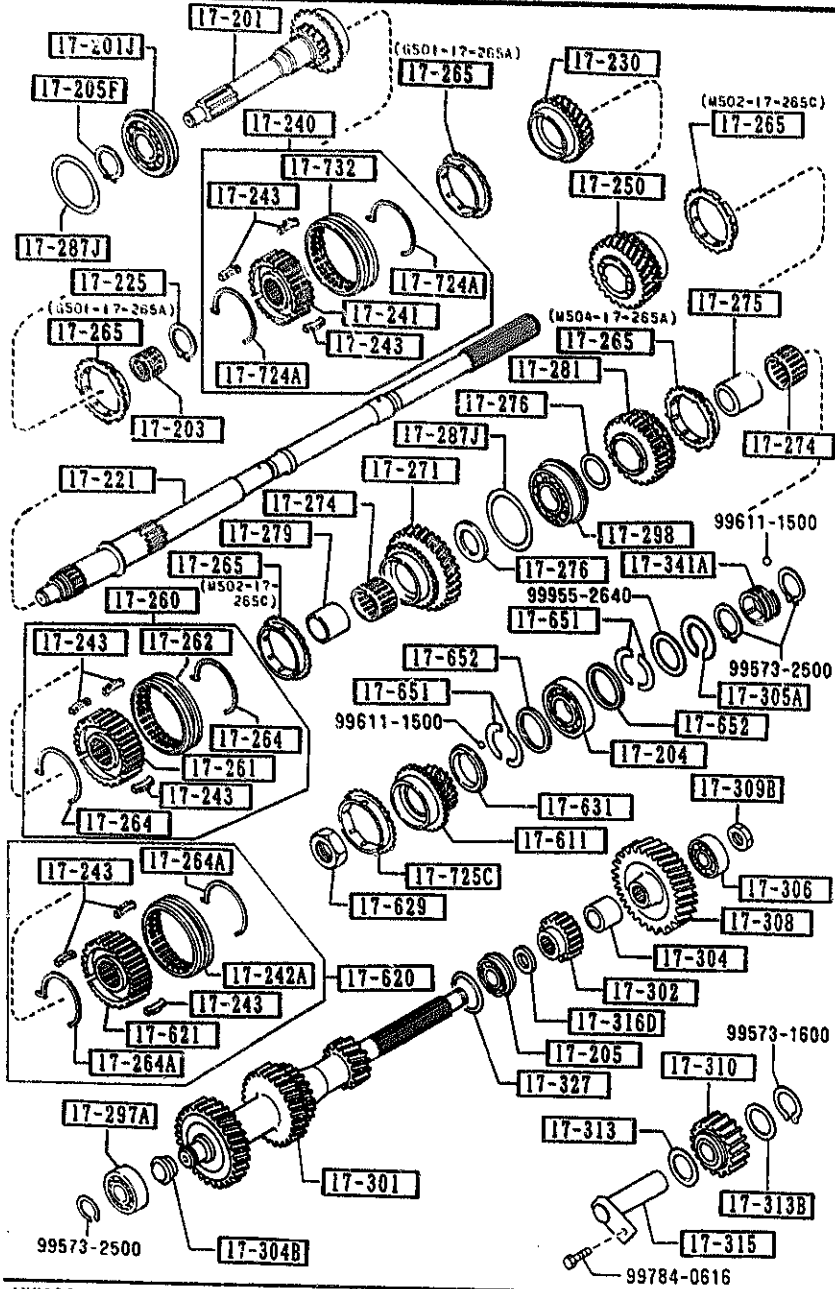
AUNA02

CAT. AUNA02-07

1993-12

1-H 6

1710 TRANSMISSION GEARS(MANUAL)

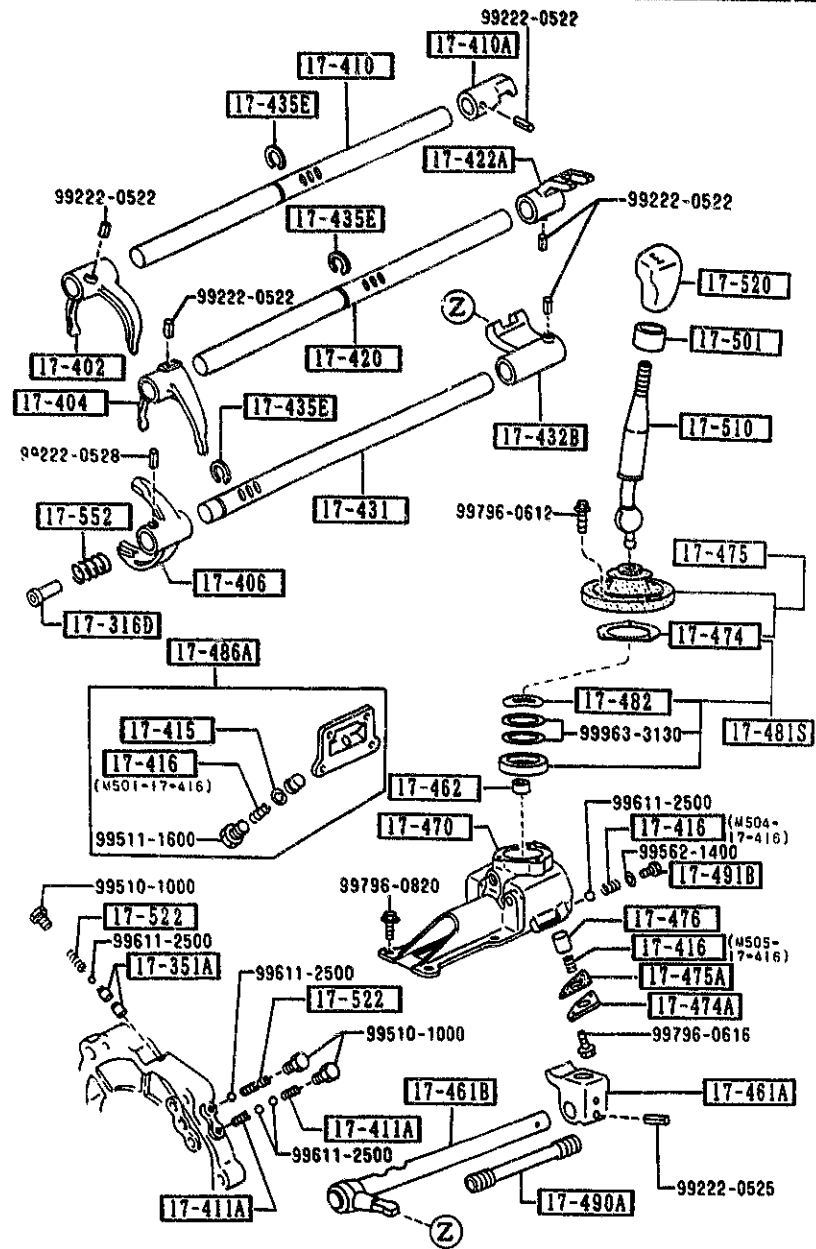


PART NO.	QTY	MODEL/RESTRICTION	MODEL/RESTRICTION	MODEL/RESTRICTION	FROM-TO
17-724A		SPRING, SYNCHRO.KEY			
W501-17-724	2				
17-725C		RING, SYNCHRONIZER			
V501-17-725	1				
17-732		SLEEVE, CLUTCH HUB			
W501-17-732B	1				

AUNA02

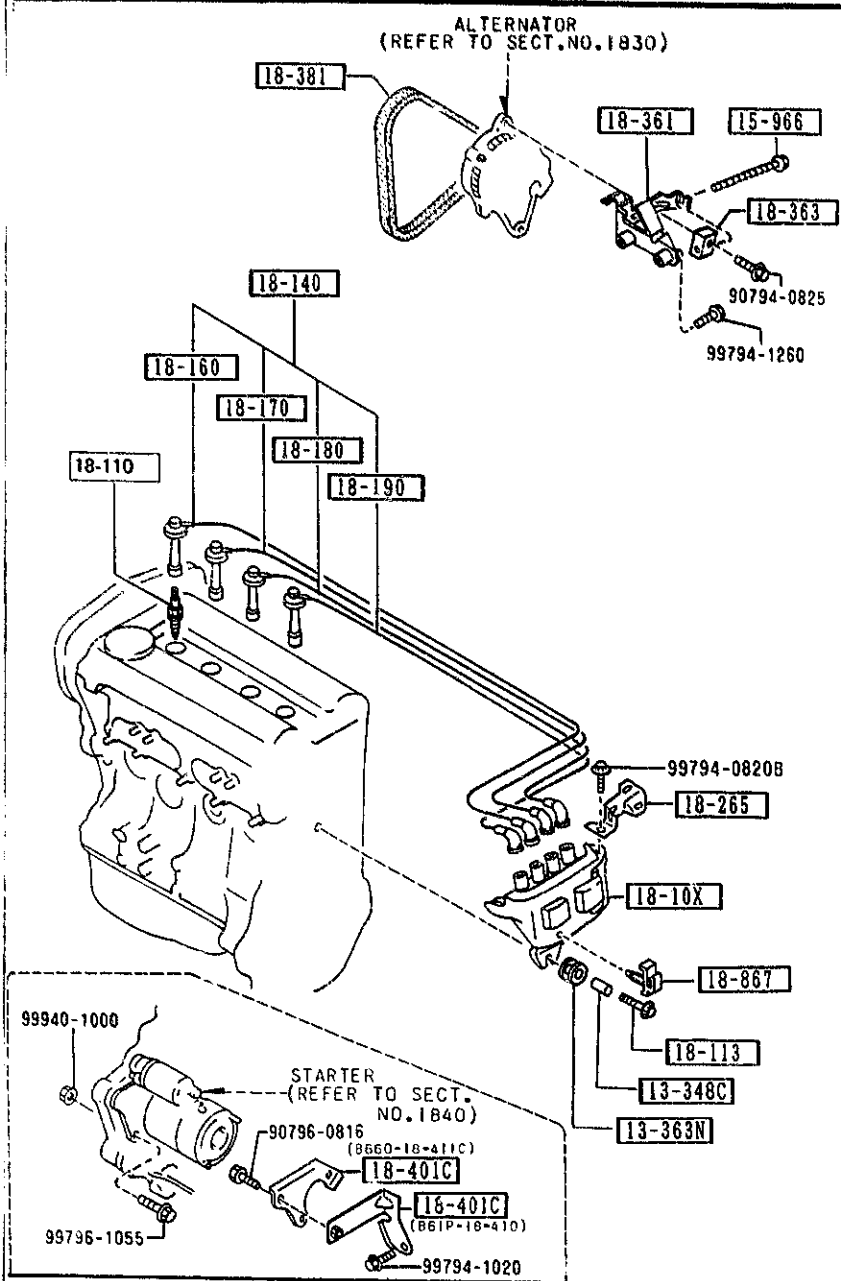
CAT. AUNA02-07

1993-12



PART NO.	QTY	MODEL/RESTRICTION	MODEL/RESTRICTION	MODEL/RESTRICTION	FROM-TO
17-432B		END, SHIFT ROD (O/TOP & REV.)			
M508-17-432	1				
17-435E		RING, RETAINING			
R502-17-435	3				
17-461A		END, CONTROL LEVER			
M508-17-461	1				
17-461B		ROD, CONTROL			
M516-17-450	1				
17-462		SHEET, SPRING			
0398-17-462A	1				
17-470		CASE, CHANGE CONTROL			
M510-17-470C	1				
17-474		GASKET, COVER PLATE			
0303-17-474	1				
17-474A		CAP, SPRING			
M501-17-474	1				
17-475		BOOT, DUST-CHANGE LEVER			
M514-17-480A	1				
17-475A		GASKET, SPRING CAP			
M501-17-475	1				
17-476		SPINDLE, SELECT LOCK			
M502-17-476A	1				
17-481S		BUSH SET, CHANGE LEVER			
M505-99-178	1				
17-482		WASHER, WAVE-CHANGE CONTROL CASE			
M505-17-482	1				
17-486A		COVER, BLIND			
R501-17-47X	1				

1800 ENGINE ELECTRICAL SYSTEM



PART NO.	QTY	MODEL/RESTRICTION	MODEL/RESTRICTION	MODEL/RESTRICTION	FROM TO
13-348C		SPACER			
B61P-13-348	1				
13-363N		RUBBER, MOUNTING			
B61P-13-363A	1				
15-966		BOLT, ADJUST			
FE38-15-966	1				
18-10X		COIL & IGNITER			
B61P-18-10XC	1				
B61P-18-10XD	1				-1801
18-110		PLUG, SPARK			1801-
BP01-18-110	4	BKR5E-11 NGK (OPTION HOT TYPE)			
BP02-18-110	4	K16PR-U11 ND (OPTION HOT TYPE)			
BP03-18-110	4	BKR6E-11 NGK (STD.)			
BP04-18-110	4	K20PR-U11 ND (STD.)			
BP05-18-110	4	BKR7E-11 NGK (OPTION COLD TYPE)			
BP06-18-110	4	K22PR-U11 ND (OPTION COLD TYPE)			
18-113		BOLT			
B61P-18-1A5A	1				
18-140		CORD SET, HI. TENSION			
B61P-18-140B	1				-1129
B61P-18-140C	1				1129-
18-160		CORD NO. 1, HI. TENSION			
B61P-18-160B	1				-1129
B61P-18-160C	1				1129-
18-170		CORD NO. 2, HI. TENSION			
B61P-18-170B	1				

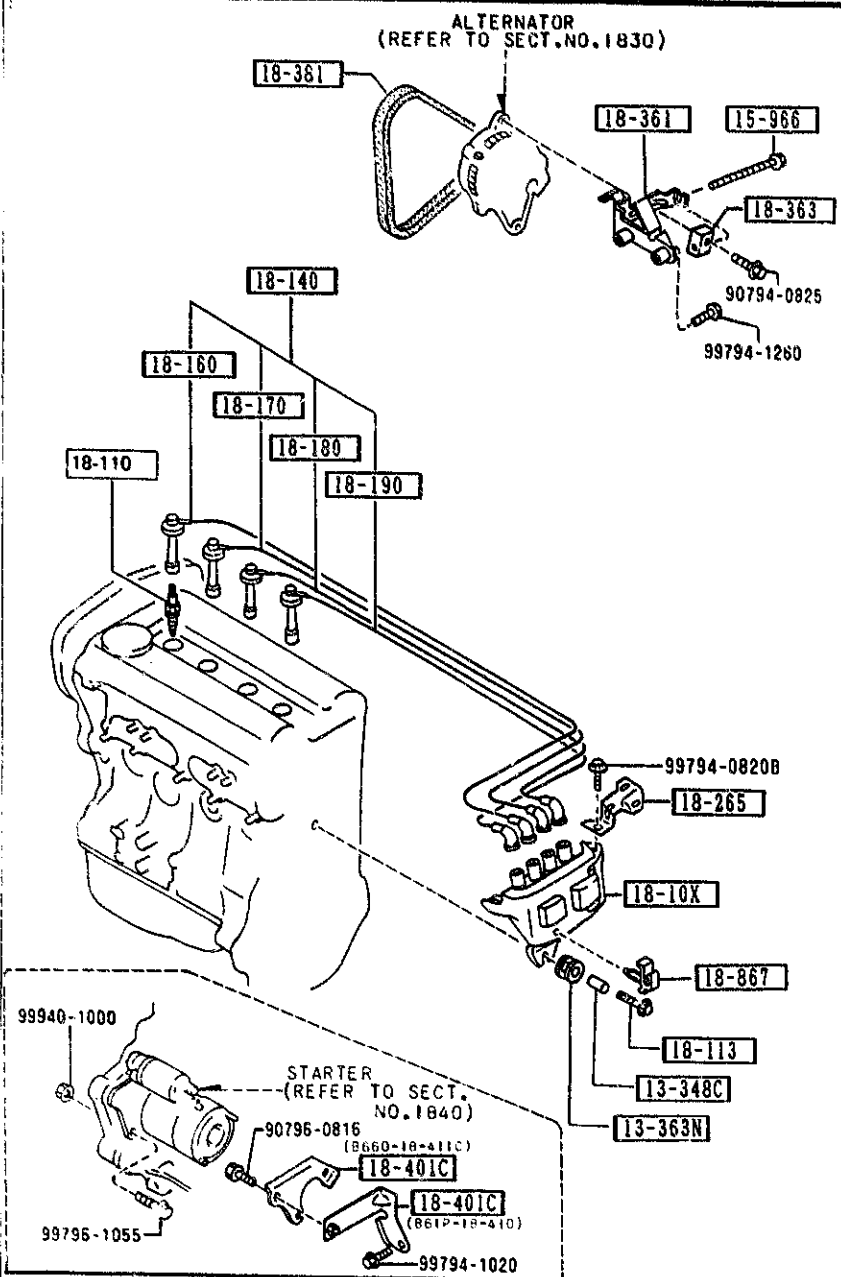
1129 NA35**227553
1801 NA35**235561

AUNA02

CAT. AUNA02-07

1993-12

1800 ENGINE ELECTRICAL SYSTEM



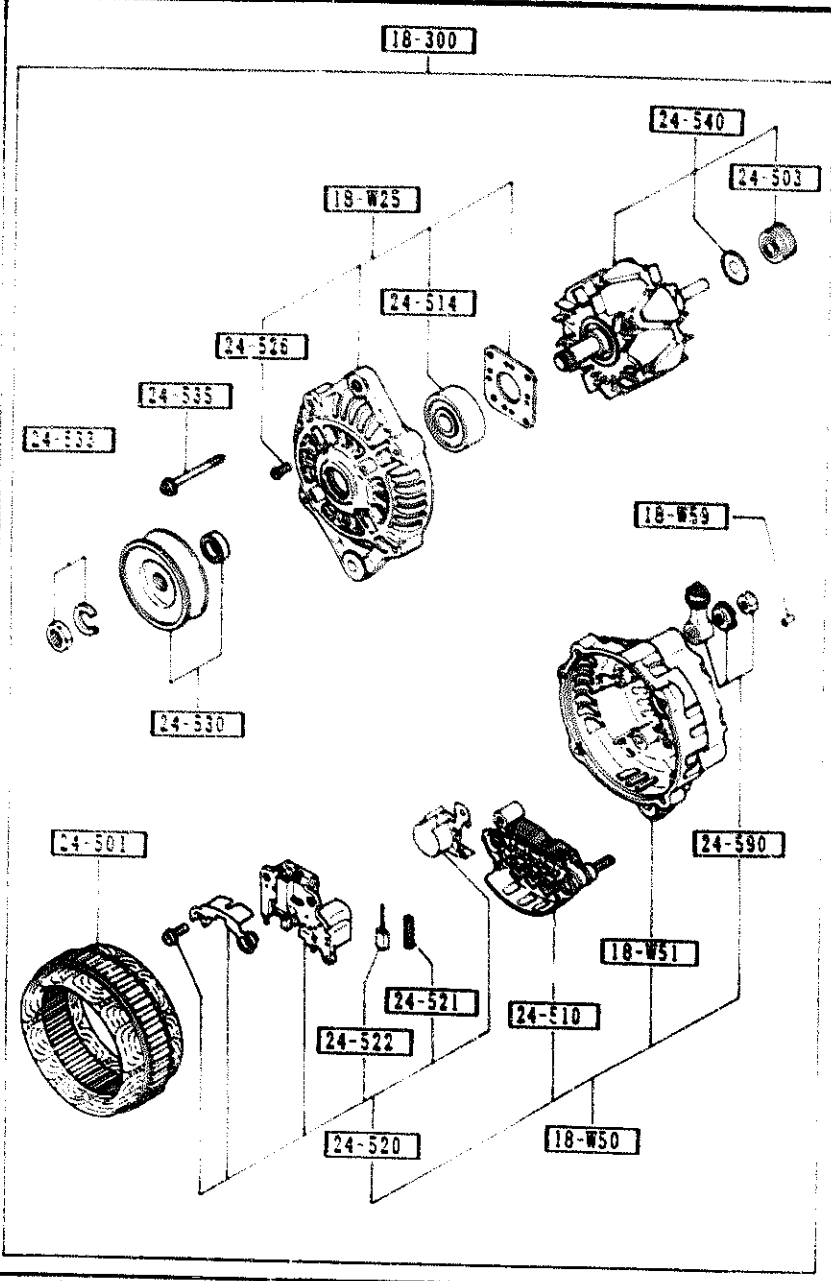
PART NO.	QTY	MODEL/RESTRICTION	MODEL/RESTRICTION	MODEL/RESTRICTION	FROM 10
18-180		CORD NO. 3, HI TENSION			
B61P-18-180B	1				
18-190		CORD NO. 4, HI. TENSION			
B61P-18-190B	1				
B61P-18-190C	1				
18-265		CLIP, COUPLER			
B61R-18-266A	1				
18-361		STRAP, ALTERNATOR			
B61P-18-360A	1				
18-363		SPACER, STRAP			
F201-18-363	1				
18-381		BELT 'V'			
B6S7-18-381B	1	AUTO-FLEX-3 A-34.7			
18-401C		BRACKET, STARTER			
B61P-18-410	1				
B660-18-411C	1				
18-867		CLIP			
FE30-18-867A	1				
1129 NA35NM-227553					

AUNA02

CAT. AUNA02-07

1993-12

1830 ALTERNATOR



PART NO.	QTY	MODEL RESTRICTION	MODEL RESTRICTION	MODEL RESTRICTION	GROUP
18-300	1				
18-W25	1	COVER, FRONT-ALTERNATOR			
B61P-18-W25	1				0B19-
B64J-18-W25	1				0B19-
18-W50	1	COVER, REAR-ALTERNATOR			
B61P-18-W50	1	(MT)			0B19-
B64J-18-W50	1	(AT)			0B19-
B61P-18-W50A	1	(MT)			0B19-
B64J-18-W50A	1	(AT)			0B19-
18-W51	1	COVER, REAR-ALTERNATOR			
B366-18-W51	1				0B19-
B3C7-18-W51	1				0B19-
18-W59	1	PLUG			
B675-18-W59	1				0B19-
18-300	1	ALTERNATOR			
B61P-18-3000A	1	(B61P-18-3000E)			0B19-
B64J-18-3000A	1	(B64J-18-3000B)			0B19-
B61P-18-3000E	1	(MT)			0B19-
B64J-18-3000B	1	(AT)			0B19-
24-501	1	STATOR			
B366-18-W45	1	(AT)			
G608-18-W45	1	(MT)			0B19-
B3C7-18-W45	1	(MT)			0B19-1A01
G608-18-W45	1	(MT)			1A01-
24-503	1	BEARING, BALL-ALT. REAR			
N336-18-W36	1				
24-510	1	RECTIFIER			
B366-18-W60	1	(AT)			0B19-
B61P-18-W60	1	(MT)			0B19-
B61R-18-W60	1	(MT)			0B19-
B64J-18-W60	1	(AT)			0B19-
0B19 NA35MM-219322					
1A01 NA35MM-303526					

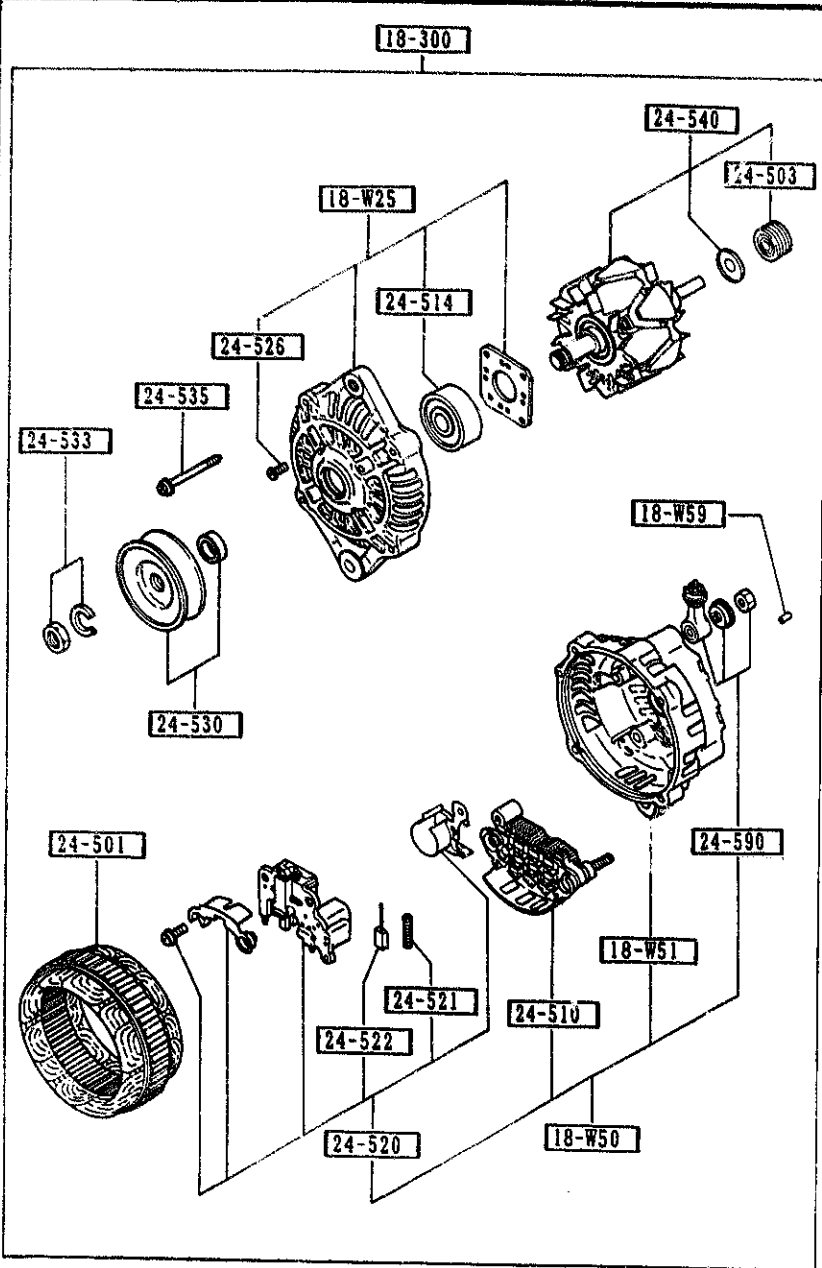
AUNA02

CAT. AUNA02-07

1993-12

1830 ALTERNATOR

1830 -2 ALTERNATOR



PART NO.	QTY	MODEL/RESTRICTION	MODEL/RESTRICTION	MODEL/RESTRICTION	FROM TO
24-514		BEARING, BALL-ALT. FRONT			
F611-18-W27	1				0B19-
PN16-18-W27	1				0B19-
24-520		REGULATOR, VOLTAGE			
B61P-18-W70	1				-0B19
B64J-18-W70 A (B64J-18-W70A)	1				0B19-1926
B64J-18-W70A	1				1926-
24-521		SPRING, BRUSH			
8599-24-521	2				-0B19
24-522		BRUSH			
FE2H-18-W77	2				-0B19
B3C7-18-W77	2				0B19-
24-526		SCREW SET			
RF71-18-W26	1				
24-530		PULLEY			
B366-18-W10	1				-0B19
B61P-18-W10	1				0B19-
24-533		NUT SET			
8028-24-533	1				-0B19
B3C7-18-W05	1				0B19-
24-535		SCREW SET			
RF71-18-W20	1				
24-540		ROTOR			
B366-18-W35A	1 (AT)				-0B19
B61P-18-W35	1 (MT)				-0B19
B64J-18-W35 A (B64J-18-W35A)	1				0B19-1921
B61R-18-W35 A (B61R-18-W35A)	1				0B19-1926
B64J-18-W35A	1 (AT)				1921-
B61R-18-W35A	1 (MT)				1926-
0B19 NA35**-219322					
1921 NA35**-303526					
1926 NA35**-303526					

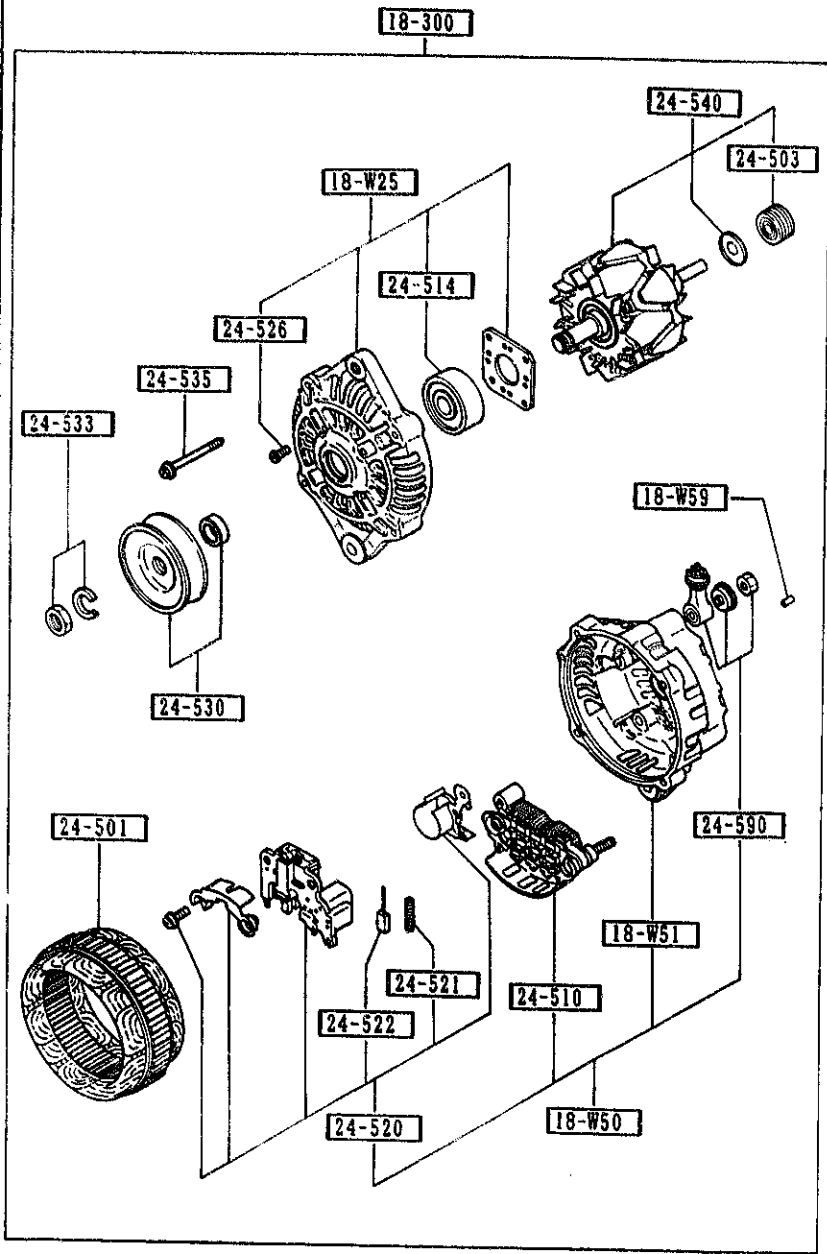
AUNA02

CAT. AUNA02-07

1993-12

1-E 7

1830 ALTERNATOR



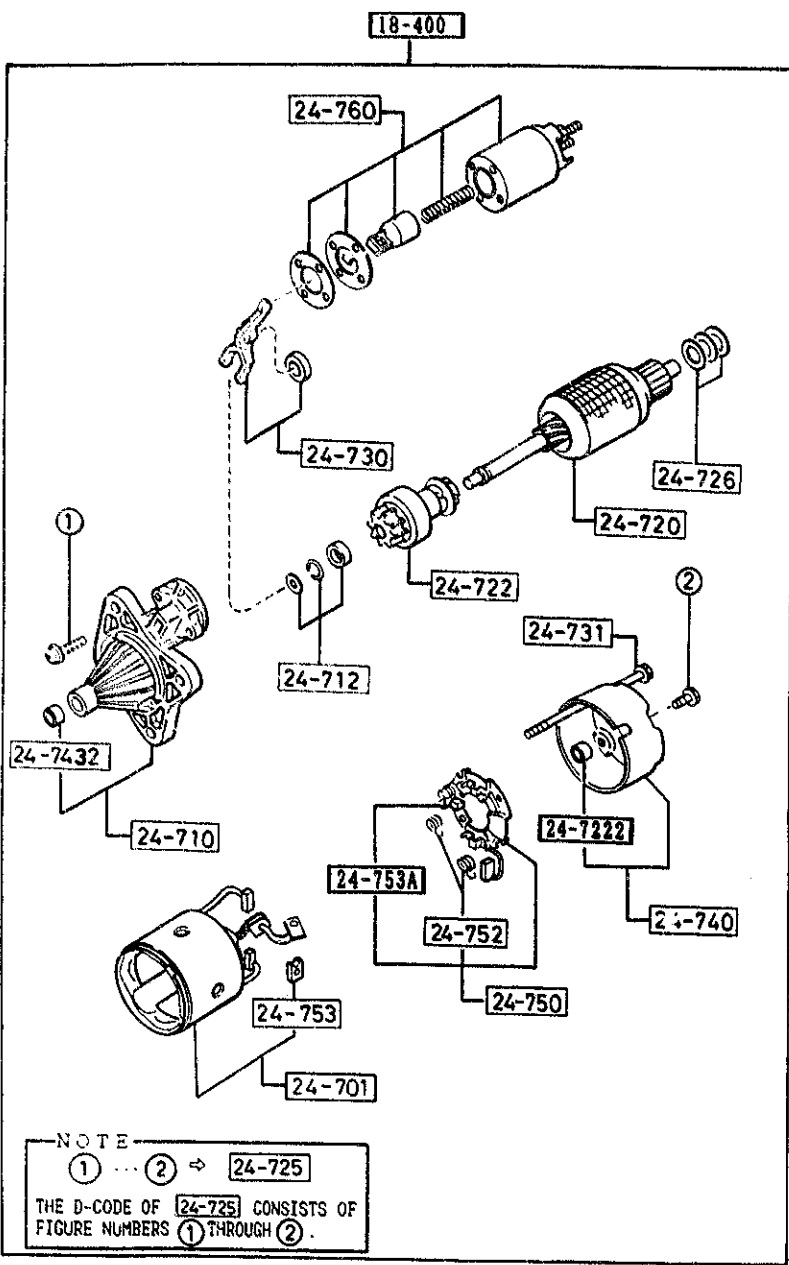
PART NO.	QTY	MODEL/RESTRICTION	MODEL/RESTRICTION	MODEL/RESTRICTION	FROM TO
24-590	1	TERMINAL SET			
N337-18-W80					

AUNA02

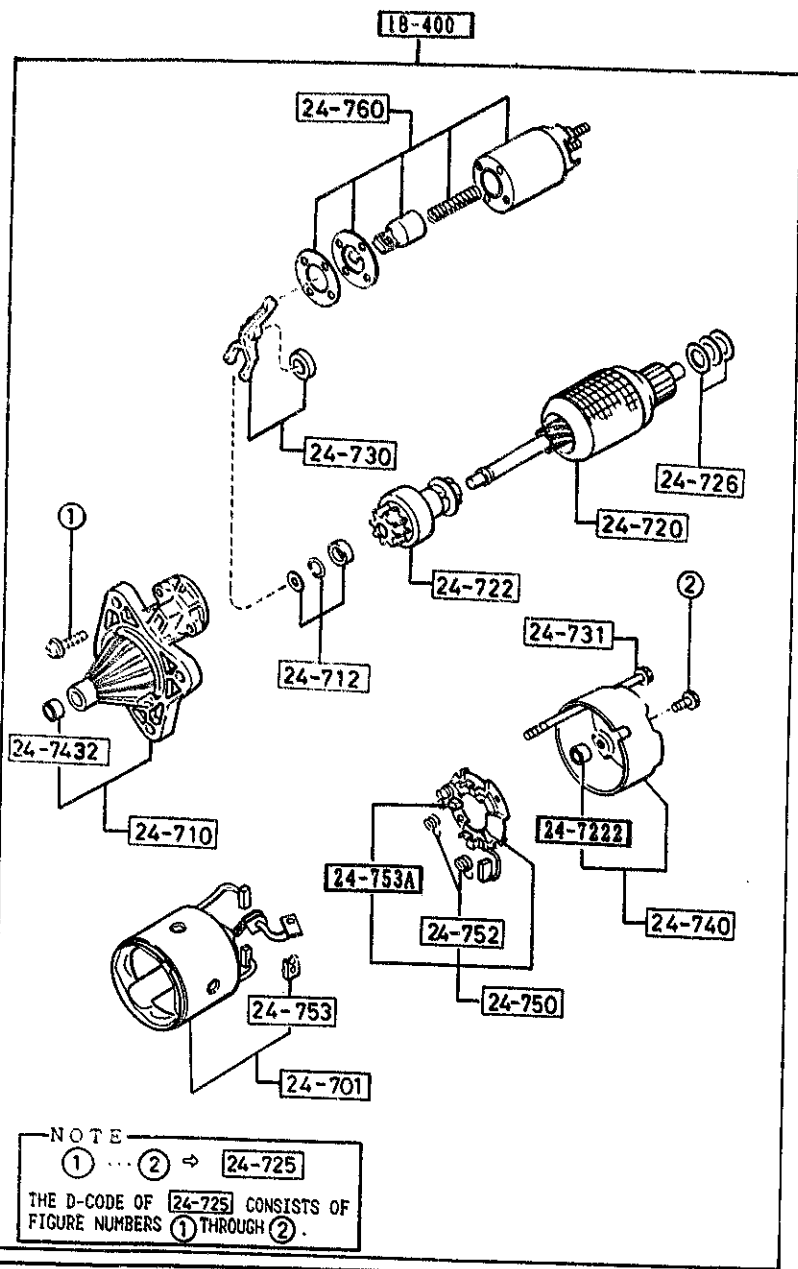
CAT. AUNA02-07

1993-12

1-F 7



PART NO.	QTY	MODEL/RESTRICTION	MODEL/RESTRICTION	MODEL/RESTRICTION	FROM: TO
18-400		STARTER			
B61R-18-400A	1	NON ASBESTOS			
24-701		YOKE			
B61R-18-X65	1				
24-710		BRACKET, FRONT			
B61R-18-X00	1				
24-712		STOPPER SET			
E356-18-X30	1				
24-720		ARMATURE			
B658-18-X60	1	NON ASBESTOS			
24-722		CLUTCH, OVER RUNNING			
B630-18-X45	1				
24-7222		SLEEVE, BEARING-REAR			
E356-18-X81	1				
24-725		SCREW SET			
E356-18-X95	1				
24-726		WASHER SET			
E356-18-X92	1				
24-730		LEVER			
E356-18-X05	1				
24-731		BOLT SET			
B630-18-X90	2				
24-740		BRACKET, REAR			
E356-18-X80	1				
24-7432		SLEEVE, BEARING-FRONT			
F210-16-X01	1				

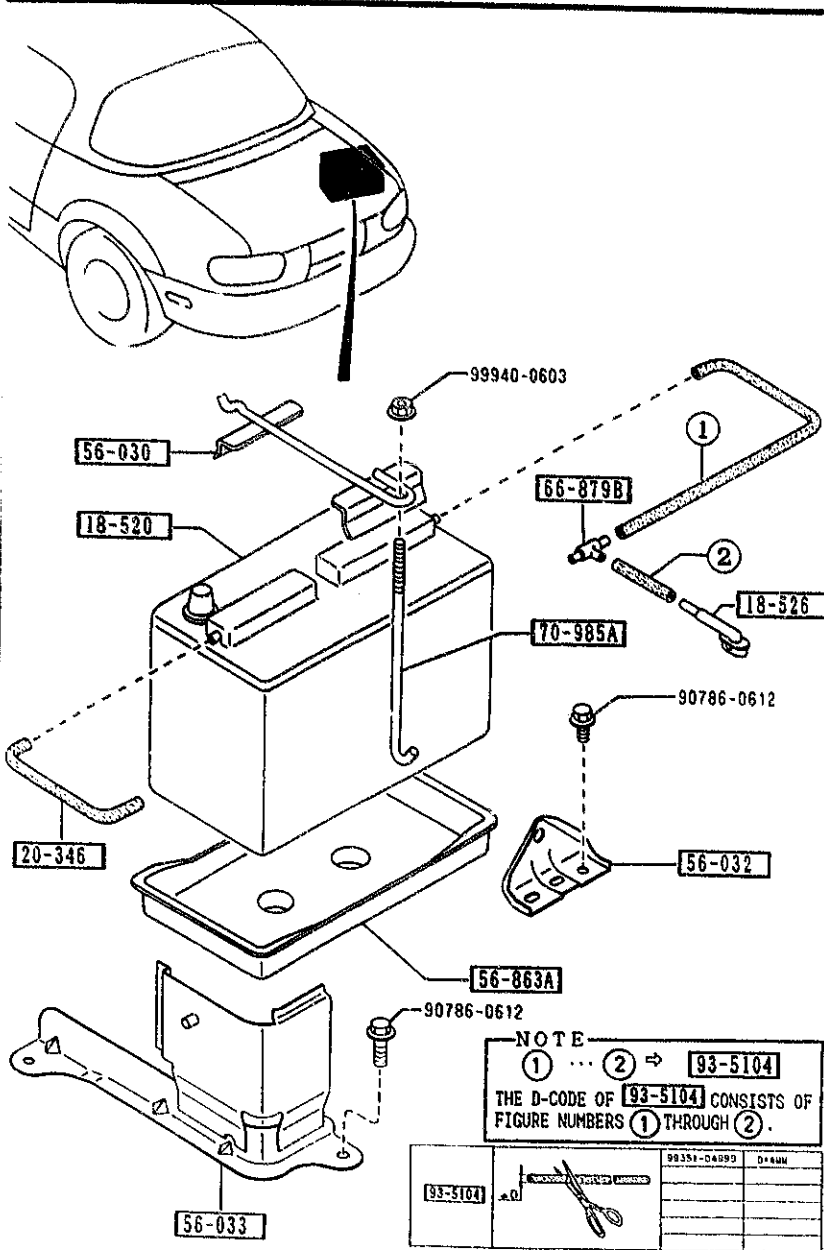


PART NO.	QTY	MODEL/RESTRICTION	MODEL/RESTRICTION	MODEL/RESTRICTION	FROM TO
24-750		HOLDER, BRUSH			
B61R-18-X70	1				
24-752		SPRING, BRUSH			
0222-24-752A	4				
24-753		BRUSH, YOKE			
B630-18-X66	2				
24-753A		BRUSH			
B660-18-X66	2				
24-760		SWITCH			
E356-18-X10	1				

1-H 7

1850 -1 M BATTERY

1850 BATTERY



PART NO.	QTY	MODEL/RESTRICTION	MODEL/RESTRICTION	MODEL/RESTRICTION	FROM-TO
18-520		BATTERY			
B61R-18-520B A (B61R-18-520C)	1	S46A24L(S) PANASONIC			-1801
B61R-18-520C	1	S46A24L(S) PANASONIC			1801-1B01
B6AC-18-520	1	S46A24L(S) PANASONIC			1B01-
18-526		CONNECTOR, TUBE-BATTERY			
B61P-18-526	1				
20-346		TUBE, VACUUM			
B61P-18-524	1				
56-030		CLAMP, BATTERY			
NA01-56-03XA	1				
56-032		BRACKET, BATTERY CLAMP			
NA01-56-032A	1				
56-033		BRACKET, STOPPER-BATTERY			
NA01-56-033A	1				
56-863A		TRAY, BATTERY			
B095-56-032	1				
66-879B		JOINT			
0813-66-879	1				
70-985A		BOLT, CLAMP			
0259-54-292A	1				
93-5104		HOSE			
99351-04999	1				
1801 NA35MM-235561					
1B01 NA35MM-306993					

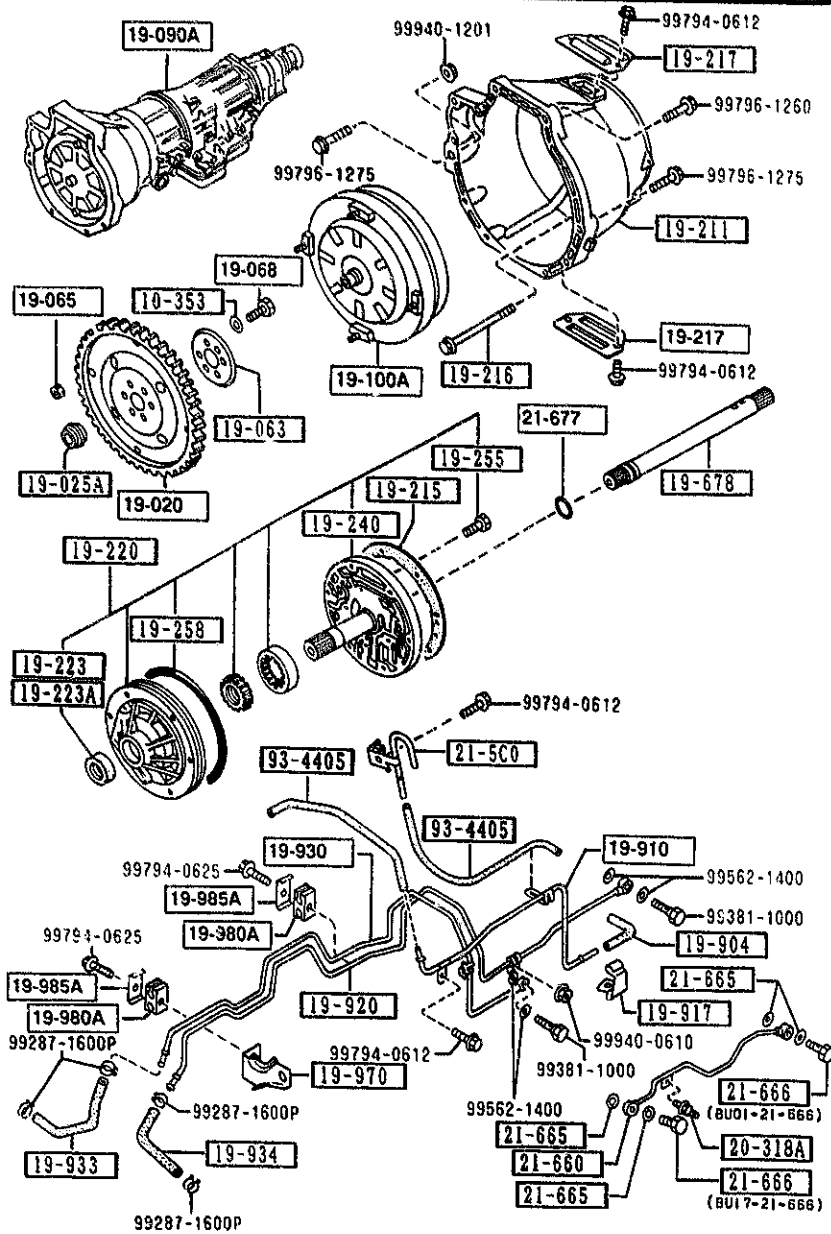
AUNA02

CAT. AUNA02-07

1993-12

1910 -1 TORQUE CONVERTER, OIL PUMP & PIPINGS (AUTOMATIC)

1910 TORQUE CONVERTER, OIL PUMP & PIPINGS (AUTOMATIC)



PART NO.	QTY	MODEL/RESTRICTION	MODEL/RESTRICTION	MODEL/RESTRICTION	FROM-TO
10-353		WASHER, PLAIN			
0290-10-353	6				
19-020		PLATE, DRIVE			
BU55-19-020	1				
19-025A		ADAPTER, DRIVE PLATE			
FU60-19-025	1				
19-063		PLATE, BACKING			
FT31-19-063	1				
19-065		NUT			
FU51-19-065	4				
19-068		BOLT, LOCK			
FT31-19-064	6				
19-090A		T/MISSION CPT.			
BUY2-19-090A	1				
19-100A		CONVERTER, TORQUE			
BU55-19-100	1				
19-211		HOUSING, CONVERTER			
BU55-19-211	1				
19-215		GASKET, OIL PUMP ASBESTOS			
BU01-19-215	1				
19-216		BOLT			
BU01-19-216	6				
19-217		COVER, BLIND			
BU55-19-217	2				
19-220		PUMP, OIL			
BU55-19-220 AN (BU55-19-220A)	1				-1A01
BU55-19-220A	1				1A01-
1A01 NA35**303925					

AUNA02

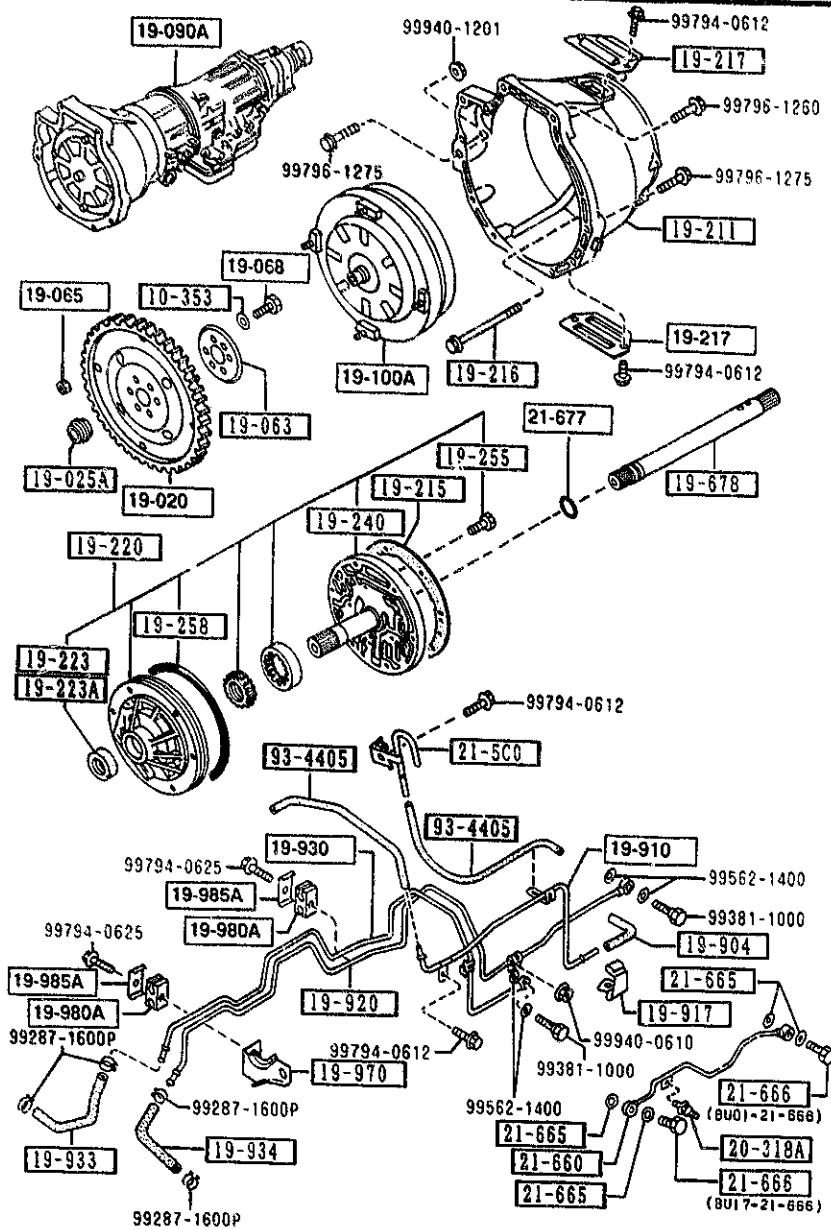
CAT. AUNA02-07

1993-12

1-J 7

1910 -2 TORQUE CONVERTER,OIL PUMP & PIPINGS (AUTOMATIC)

1910 TORQUE CONVERTER,OIL PUMP & PIPINGS (AUTOMATIC)



PART NO.	QTY	MODEL/RESTRICTION	MODEL/RESTRICTION	MODEL/RESTRICTION	FROM TO
19-223	1	SEAL,OIL			
MBU55-19-223		JATCO			
19-223A	1	SEAL,OIL			
0338-19-223A		NOK			
19-240	1	COVER,OIL PUMP			
BU55-19-240					-1A01
AN(BU55-19-240A)					
BU55-19-240A	1				1A01-
19-255	5	BOLT			
0338-19-255					
19-258	1	SEAL,CUT RING			
0338-19-258					
19-678	1	SHAFT,INPUT			
BU55-21-678					
19-904	1	HOSE,VACUUM			
0338-19-904A					
19-910	1	PIPE,VACUUM			
BU55-19-910A					
19-917	1	CLIP			
BU17-19-917					
19-920	1	PIPE,OIL			
BU55-19-920C					
19-930	1	PIPE,OIL			
BU55-19-930C					
19-933	1	HOSE,OIL			
BU55-19-933A					
19-934	1	HOSE,OIL			
BU55-19-934A					
1A01 NA35MM-303925					

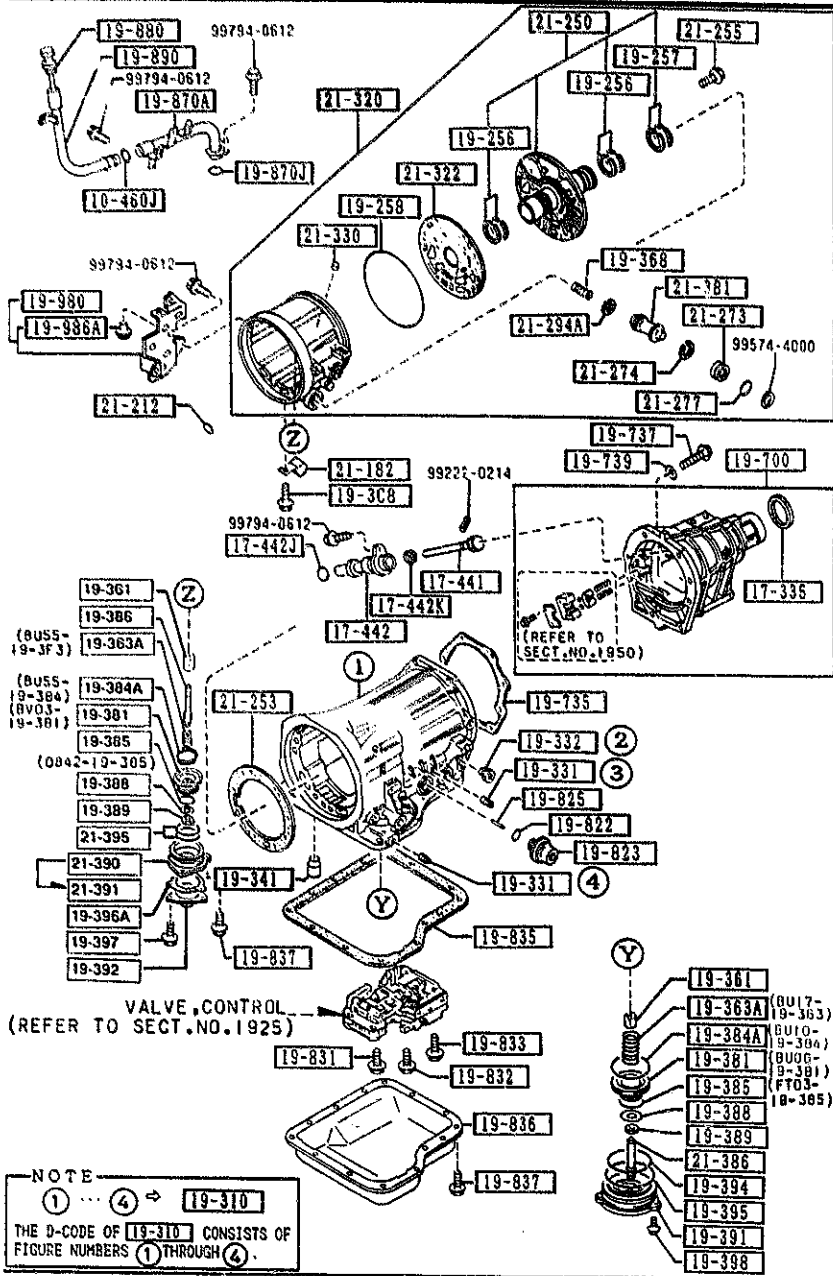
AUNA02

CAT. AUNA02-07

1993-12

1-K-7

1920 TRANSMISSION CASE & MAIN CONTROL SYSTEM (AUTOMATIC)



PART NO.	QTY	MODEL/RESTRICTION	MODEL/RESTRICTION	MODEL/RESTRICTION	FROM-TO
10-460J		RING, 'O'			
99541-01201	1				
17-335		SEAL, OIL			
M507-17-335 A (M507-17-335A)	1				-2511
M507-17-335A	1				2511-
17-441		GEAR, DRIVEN			
BU55-17-441	1				
17-442		SLEEVE, SPEEDOMETER			
BU55-17-442	1				
17-442J		RING, 'O'			
1011-17-443	1				
17-442K		SEAL, OIL			
99586-08166	1				
19-256		RING, SEAL			
BU01-19-256	4				
19-257		RING, SEAL			
BU01-19-257	2				
19-258		SEAL, CUT RING			
0338-19-258	1				
19-3C8		BOLT, BAFFLE PLATE			
BU55-19-3C8	1				
19-310		CASE, T/MISSION			
BU55-19-310A	1				
19-331		PLUG, SQUARE HEAD			
BV11-19-3C4	1				-1301
0338-19-331A	1				1301-
19-332		CONNECTOR, STRAIGHT			
BU01-19-332A	1				
1301 NA35**231464					
2511 NA35**327063					

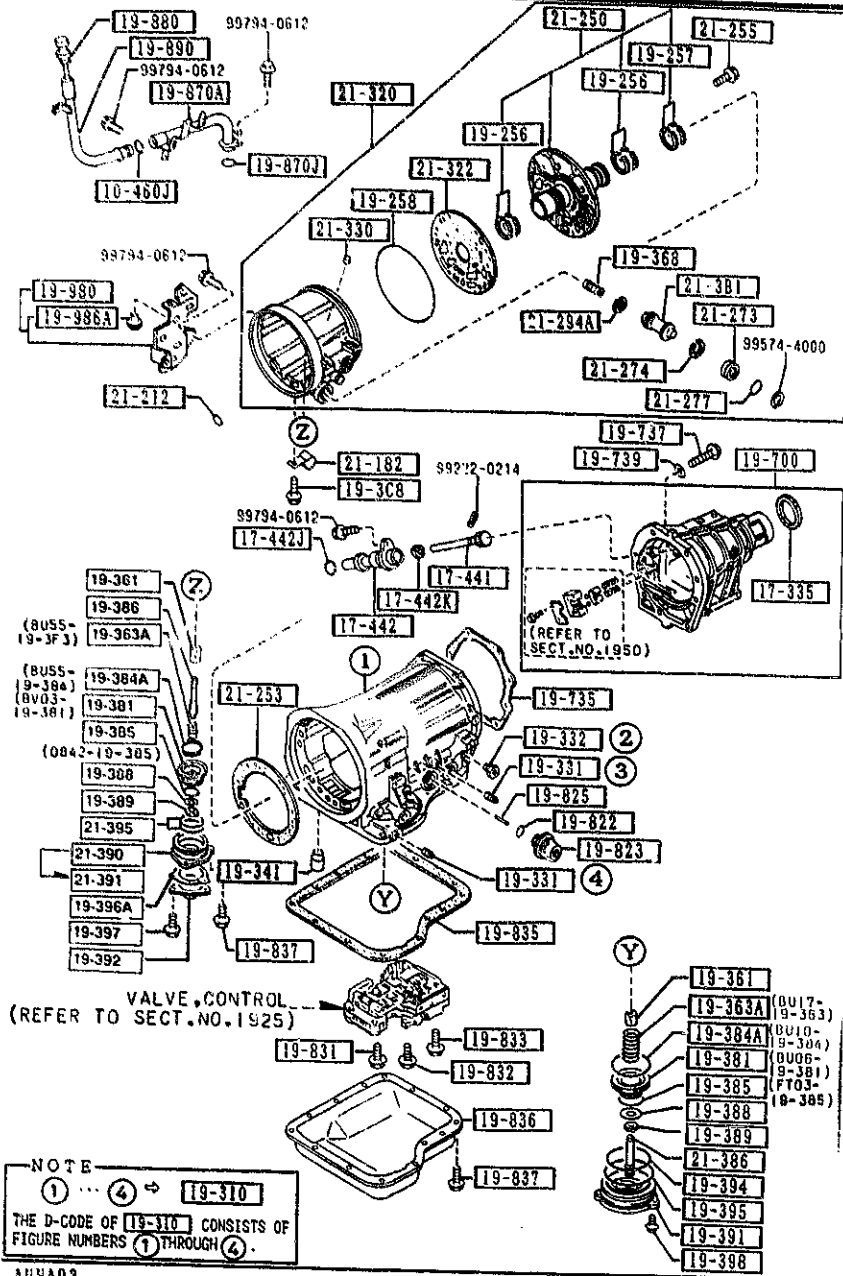
AUNA02

CAT. AUNA02-07

1993-12

1-M 7

1920 TRANSMISSION CASE & MAIN CONTROL SYSTEM (AUTOMATIC)

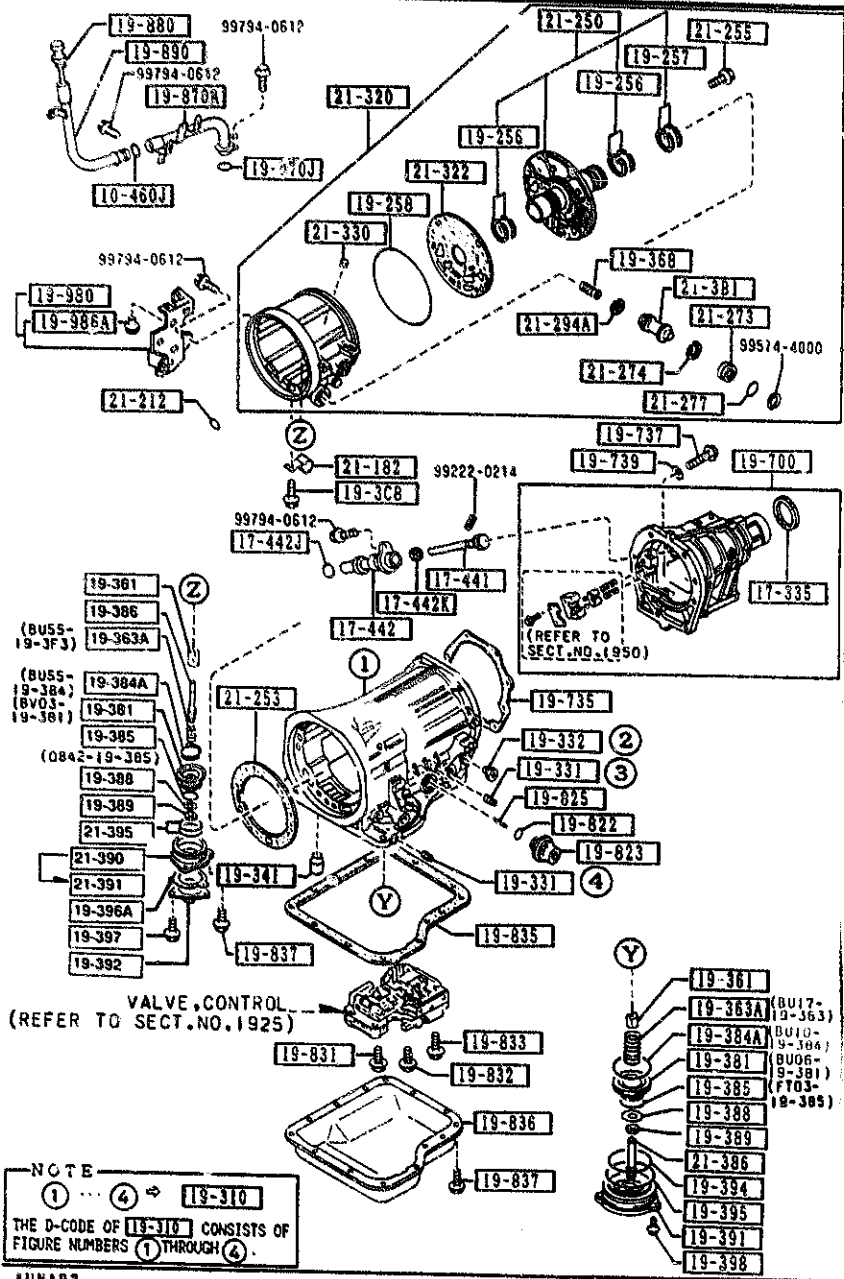


PART NO.	QTY	MODEL/RESTRICTION	MODEL/RESTRICTION	MODEL/RESTRICTION	FROM TO
19-341		BOLT, ANCHOR END			
0338-19-341	1				
19-361		STRUT, BAND			
0338-19-361B	2				
19-363A		SPRING, PISTON RETURN			
BU55-19-3F3	1				
BU17-19-365	1				
19-368		SPRING, CUSHION-PISTN. STEM			
BU20-19-368	1				
19-381		PISTON, BAND SERVO			
BU06-19-381	1				
BV03-19-381	1				
19-384A		SEAL, PISTON			
BU10-19-384	1				
BU55-19-384	1				
19-385		SEAL, PISTON			
FT03-19-385	1	D=44MM			
0842-19-385	1	D=36MM			
19-386		STEM, PISTON			
0338-19-386A	1				
19-388		WASHER, PLAIN			
0338-19-388A	2				
19-389		NUT			
0338-19-389	2				
19-391		RETAINER, SERVO			
BU06-19-391	1				
19-392		COVER, SERVO			
1758-19-392A	1				

CAT. AUNA02-07

1993-12

1920 TRANSMISSION CASE & MAIN CONTROL SYSTEM (AUTOMATIC)



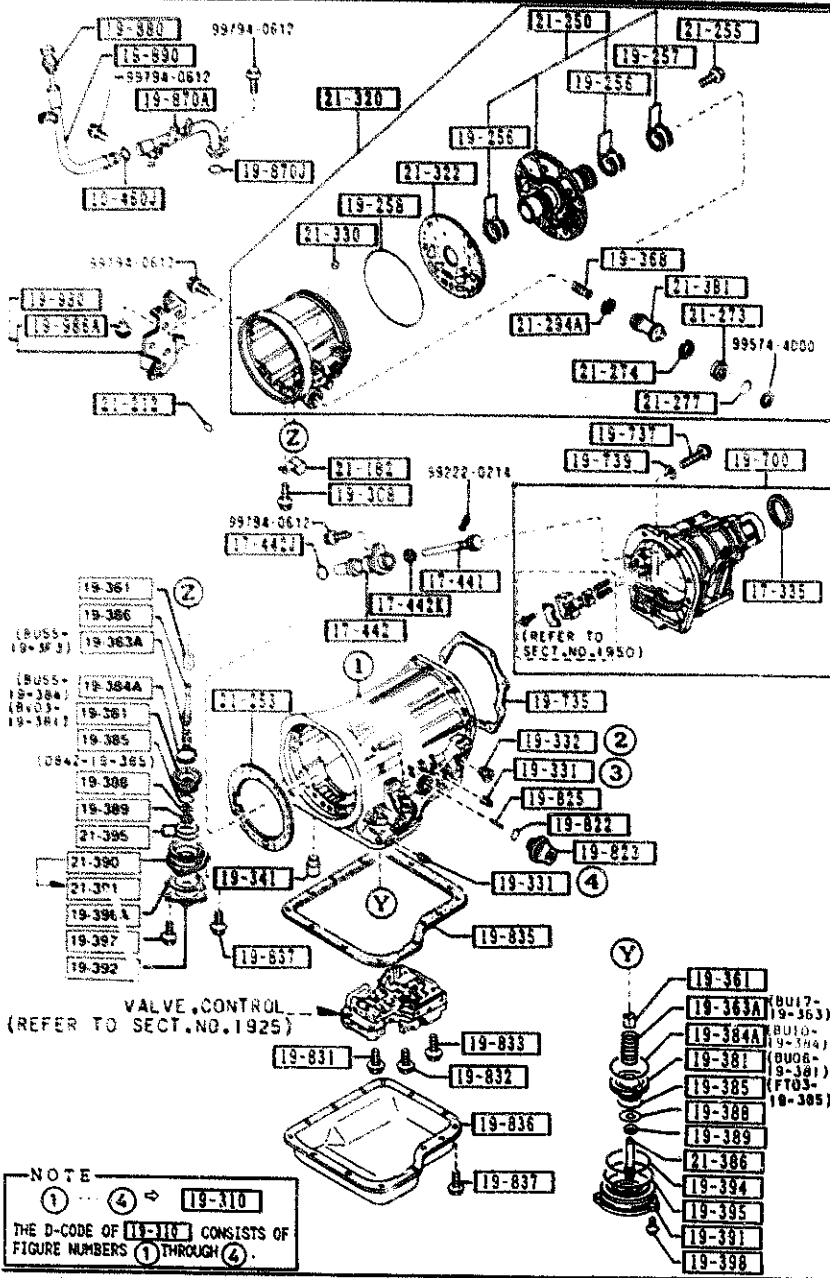
PART NO.	QTY	MODEL/RESTRICTION	MODEL/RESTRICTION	MODEL/RESTRICTION	FROM TO
19-394		SEAL, LATHE CUT			
0842-19-394	1				
19-395		RING, 'O'			
0338-19-395	1				
19-396A		GASKET			
1758-19-396A	1	ASBESTOS			
19-397		BOLT			
1758-19-397	3				
19-398		BOLT			
0338-19-398	3				
19-700		HOUSING, EXTENSION			
BUY2-19-7A0	1				
19-735		GASKET, EXTENSION			
0338-19-735	1	ASBESTOS			
19-737		BOLT			
0338-19-737	8				
19-739		WASHER, PLAIN			
0338-19-739	8				
19-822		SEAL, 'O'RING			
0338-19-822	1				
19-823		DIAPHRAGM, VACUUM			
BU55-19-823	1				
19-825		ROD, DIAPHRAGM			
BU55-19-825	1	L=29.75MM			
0338-19-825	1	L=30MM			
0338-19-826	1	L=31MM			

AUNA02

CAT. AUNA02-07

1993-12

1920 TRANSMISSION CASE & MAIN CONTROL SYSTEM (AUTOMATIC)



PART NO.	QTY	MODEL/RESTRICTION	MODEL/RESTRICTION	MODEL RESTRICTION	FORM IN
CONT'D					
0338-19-827	1	L=30.5MM			
0338-19-828	1	L=29MM			
0338-19-829	1	L=29.5MM			
19-851		BOLT, CONTROL VALVE			
0338-19-831	2				
19-852		BOLT, CONTROL VALVE			
0338-19-852	2				
19-833		BOLT, CONTROL VALVE			
0338-19-833	3				
19-835		GASKET, OIL PAN			
0338-19-835B	1	ASBESTOS			
19-856		PAN, OIL			
0338-19-836A	1				
19-837		BOLT, OIL PAN			
0338-19-837	17				
19-870A		TUBE, FILLER			
BU55-19-870	1				
19-870J		RING, 'O'			
99541-01601	1				
19-880		GAUGE, OIL LEVEL			
BU17-19-880B	1				
19-890		TUBE, OIL FILTER-UPPER			
BU55-19-890	1				
19-980		BRACKET			
BU55-19-980A	1				
19-986A		BUSH, RUBBER			

NOTE
 ① ... ④ ⇔ 19-310
 THE D-CODE OF 19-310 CONSISTS OF FIGURE NUMBERS ① THROUGH ④.

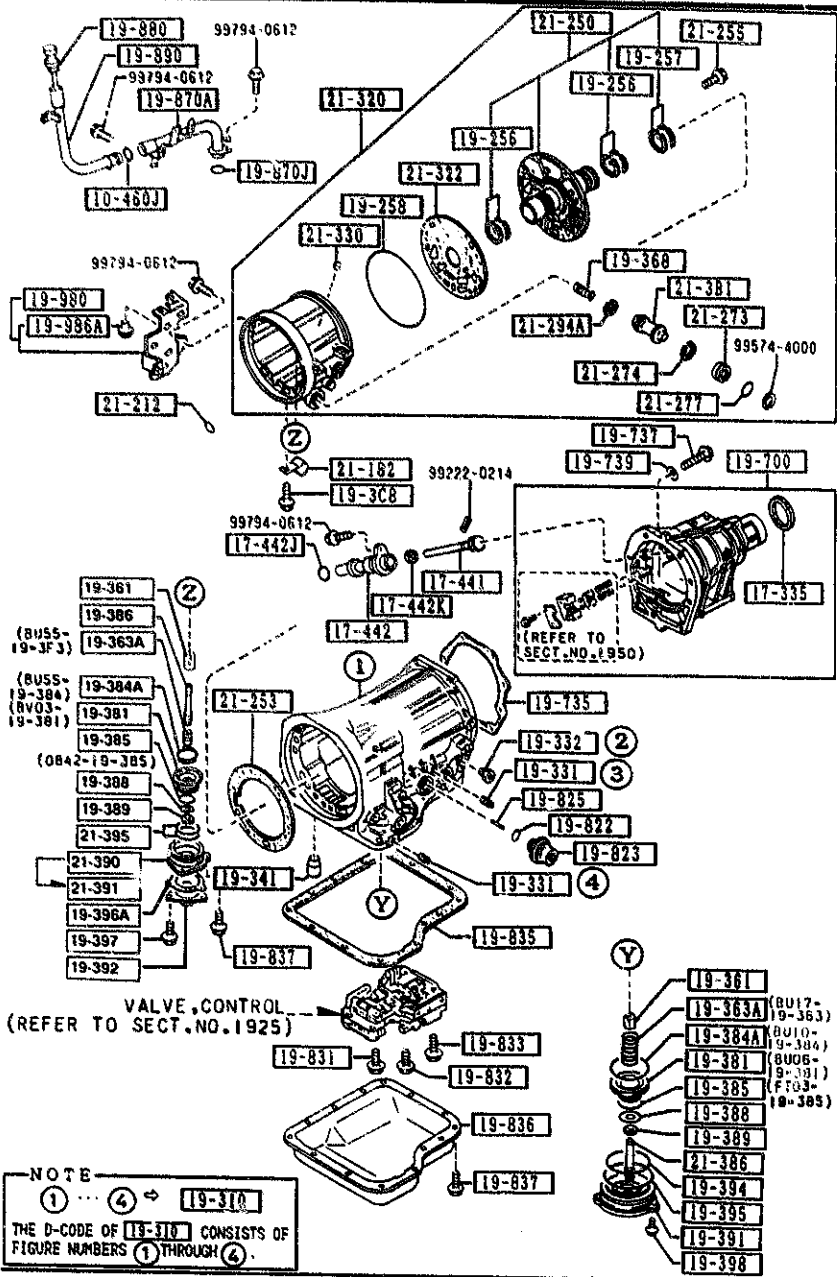
AUNA02

CAT. AUNA02-07

1993-12

1920 TRANSMISSION CASE & MAIN CONTROL SYSTEM (AUTOMATIC)

1920 -5 TRANSMISSION CASE & MAIN CONTROL SYSTEM (AUTOMATIC)



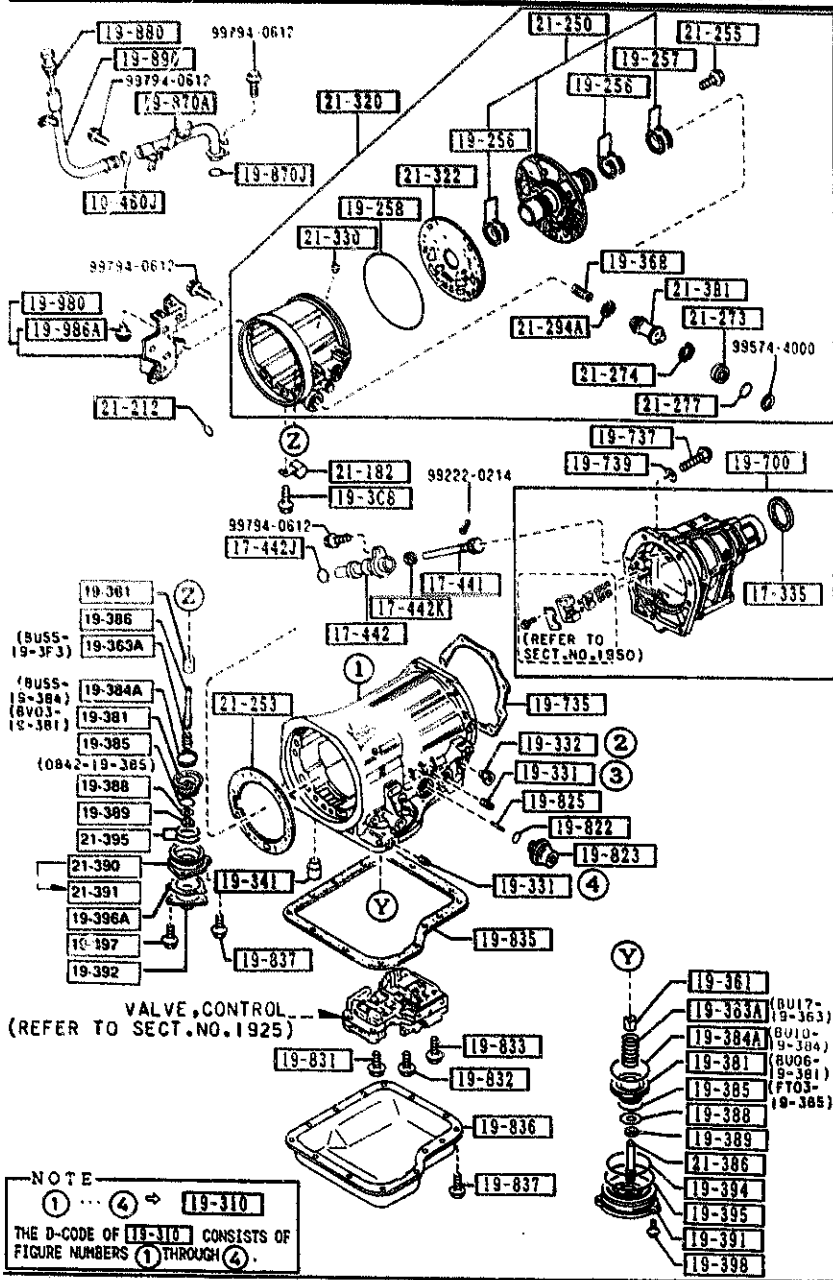
PART NO.	QTY	MODEL/RESTRICTION	MODEL/RESTRICTION	MODEL/RESTRICTION	FROM TO
CONT'D BV01-19-986	1				
21-182		BRACKET			
BU55-21-182	1				
21-212		RING, 'O'			
BU01-21-212	2				
21-250		SUPPORT, DRUM			
BU55-21-250	1				
21-253		GASKET, DRUM SUPPORT ASBESTOS			
BU01-21-253	1				
21-255		BOLT			
BU01-21-255	5				
21-273		PLUG, ACCUMULATOR			
BU01-21-273	1				
21-274		SEAL, 'O'RING			
BU01-21-274	1				
21-277		RING, 'O'			
BU01-21-277	1				
21-294A		RING, SEAL			
BU55-21-293	1				
21-381		PISTON, ACCUMULATOR			
BU55-21-381	1				
21-320		CASE, OVER DRIVE			
BU55-21-320	1				
21-322		GASKET, O/DRIVE CASE			
BU01-21-322	1				
21-330		VALVE, ONE WAY			
BV01-21-330	1				

AUNA02

CAT. AUNA02-07

1993-12

1920 TRANSMISSION CASE & MAIN CONTROL SYSTEM (AUTOMATIC)



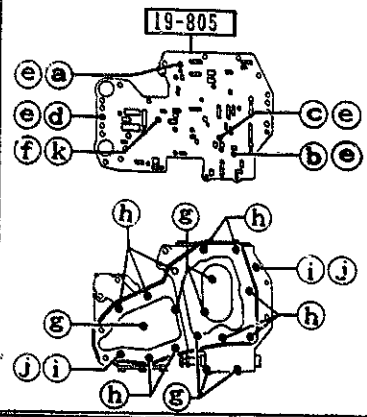
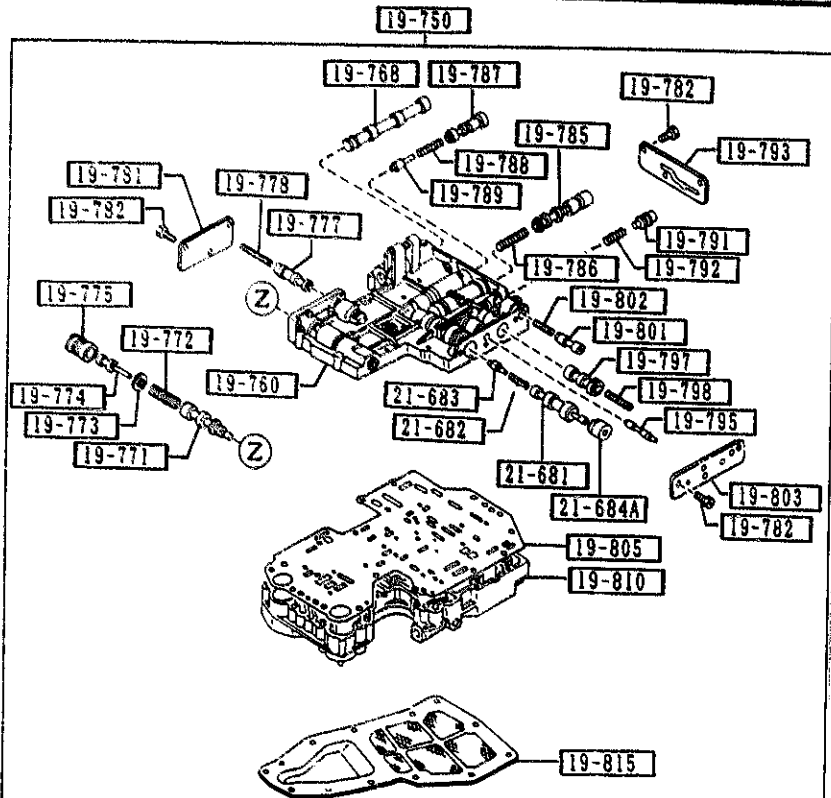
PART NO.	QTY	MODEL/RESTRICTION	MODEL/RESTRICTION	MODEL/RESTRICTION	FROM TO
21-386		STEM, PISTON BAND			
BU01-21-386	1				
21-390		SERVO, OVER DRIVE			
BU20-21-390	1				-0801
21-391		RETAINER, SERVO			
BV02-21-391	1				0801-
21-395		RING, 'O'			
BU01-21-395	2				
0801 NA35MM-217311					

AUNA02

CAT. AUNA02-07

1593-12

1925 CONTROL VALVE (AUTOMATIC)



a		19-8A4	D=1.1MM
b		19-8B1	D=2.0MM
c		19-807	D=1.5MM (BU01-19-807)
d		19-807	D=1.6MM (BU17-19-807)
e		19-808	D=4.77MM, L=15.5MM
f		19-814	D=5.6MM, L=26.0MM
g		19-816	M5, L=25MM
h		19-817	M5, L=40MM
i		19-818	M6, L=57MM
j		19-819	
k		99611-2000	

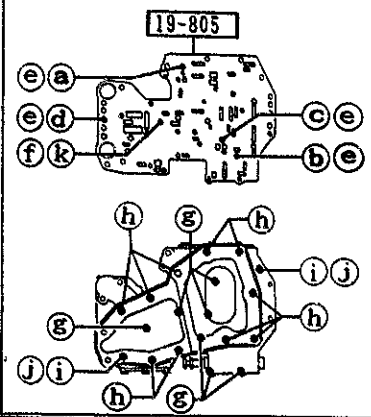
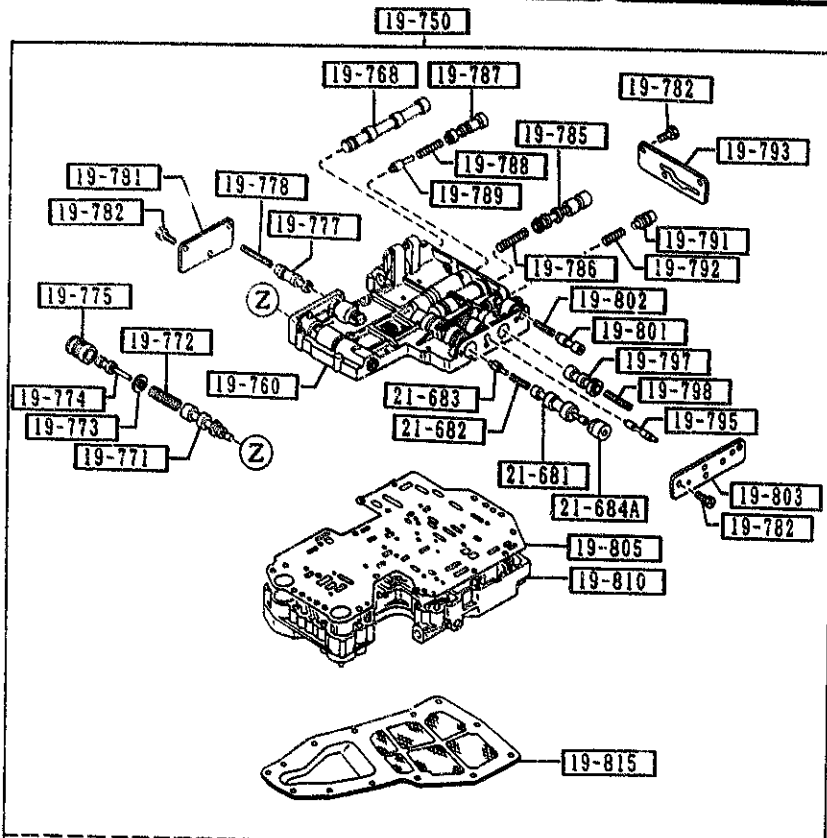
PART NO.	QTY	MODEL/RESTRICTION	MODEL/RESTRICTION	MODEL/RESTRICTION	FROM TO
19-787		VALVE, 2-3 SHIFT			
BU55-19-787	1				
19-788		SPRING, 2-3 SHIFT			
FT21-19-788	1				
19-789		PLUG, 2-3 SHIFT			
BU17-19-789	1				
19-791		VALVE, MODIFIER			
FT27-19-791A	1				
19-792		SPRING, MODIFIER			
FT37-19-792	1				
19-793		PLATE, SIDE 'A'			
0338-19-793A	1				
19-795		VALVE, THROTTLE			
0338-19-795B	1				
19-797		VALVE, THROTTLE BACK-UP			
0338-19-797	1				
19-798		SPRING, THROTTLE BACK-UP			
0338-19-798	1				
19-8A4		VALVE, ORIFICE CHECK			
BV01-19-8A4	1				
19-8B1		VALVE, ORIFICE CHECK			
BV01-19-8B1	1				
19-801		VALVE, DOWN SHIFT			
0338-19-801	1				
19-802		SPRING, DOWN SHIFT			
0338-19-802	1				
19-803		PLATE, SIDE 'B'			
BU01-19-803A	1				

AUNA02

CAT. AUNA02-07

1993-12

1925 CONTROL VALVE (AUTOMATIC)



a		19-8A4	D=1.1MM
b		19-8B1	D=2.0MM
c		19-807	D=1.5MM (BU01-19-807)
d		19-807	D=1.8MM (BU17-19-807)
e		19-808	D=4.77MM, L=15.5MM
f		19-814	D=5.6MM, L=26.8MM
g		19-816	M5, L=25MM
h		19-817	M5, L=40MM
i		19-818	M6, L=57MM
j		19-819	
k		99611-2000	

PART NO.	QTY	MODEL/RESTRICTION	MODEL/RESTRICTION	MODEL/RESTRICTION	FROM-TO
19-805		PLATE, SEPARATOR			
BU55-19-805	1				
19-807		VALVE, ORIFICE CHECK			
BU01-19-807	1				
BU17-19-807	1				
19-808		SPRING			
0338-19-808	4				
19-810		BODY, LWR-CONT. VALVE			
BU55-19-810	1				
19-814		SPRING			
0338-19-814	1				
19-815		STRAINER, OIL			
BU01-19-815	1				
19-816		SCREW			
0338-19-816	7				
19-817		SCREW			
0338-19-817	10				
19-818		BOLT			
0338-19-818	2				
19-819		NUT			
0338-19-819	2				
21-681		VALVE, SHIFT 3-4			
BU35-21-681A	1				
21-682		SPRING, 3-4 SHIFT			
BU35-21-682	1				
21-683		PLUG, 3-4 SHIFT			
BU03-21-683A	1				

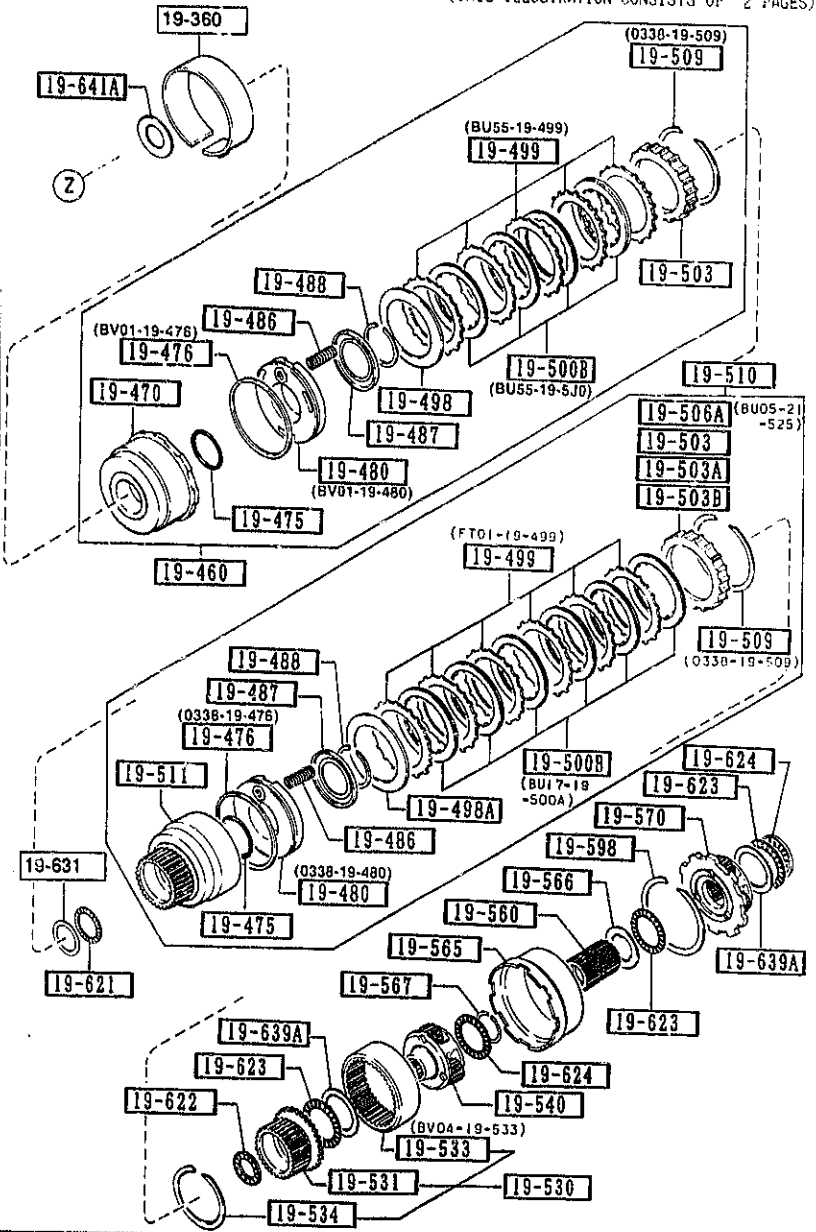
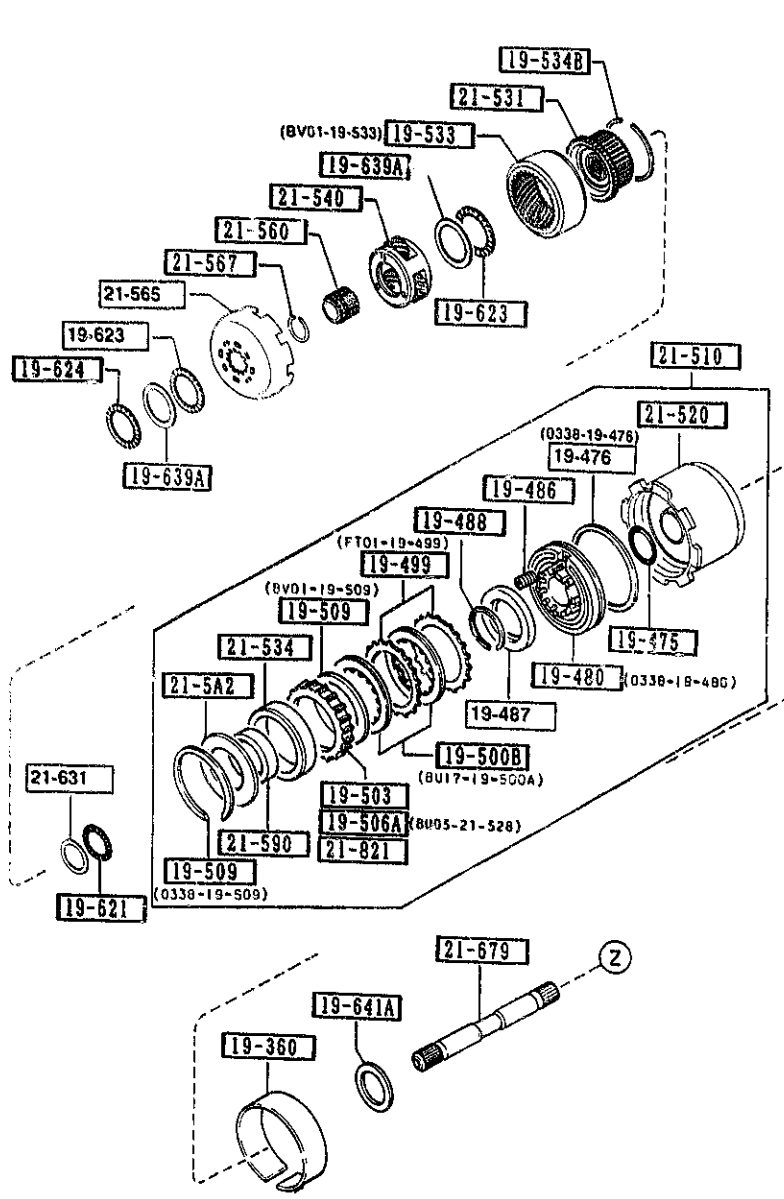
AUNA02

CAT. AUNA02-07

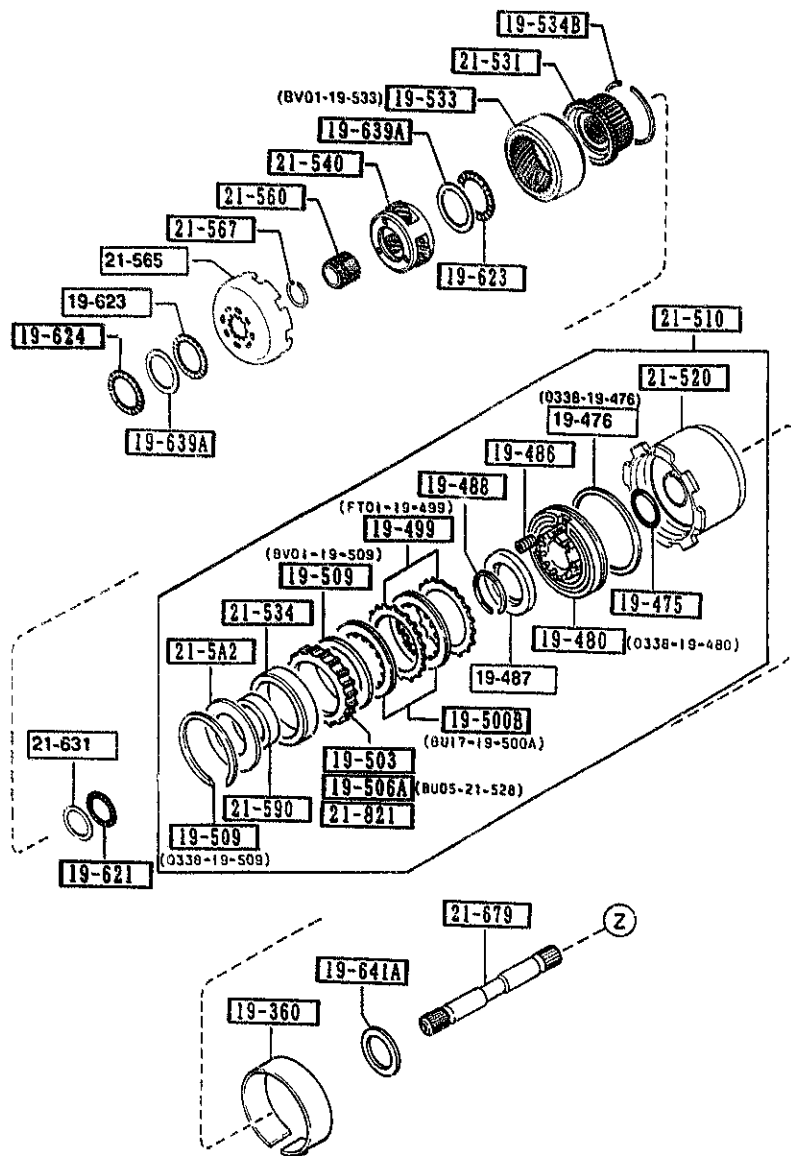
1993-12

(THIS ILLUSTRATION CONSISTS OF 2 PAGES)

(THIS ILLUSTRATION CONSISTS OF 2 PAGES)



1930 CLUTCHES & PLANETARY GEARS (AUTOMATIC) (1/2)
 (THIS ILLUSTRATION CONSISTS OF 2 PAGES)

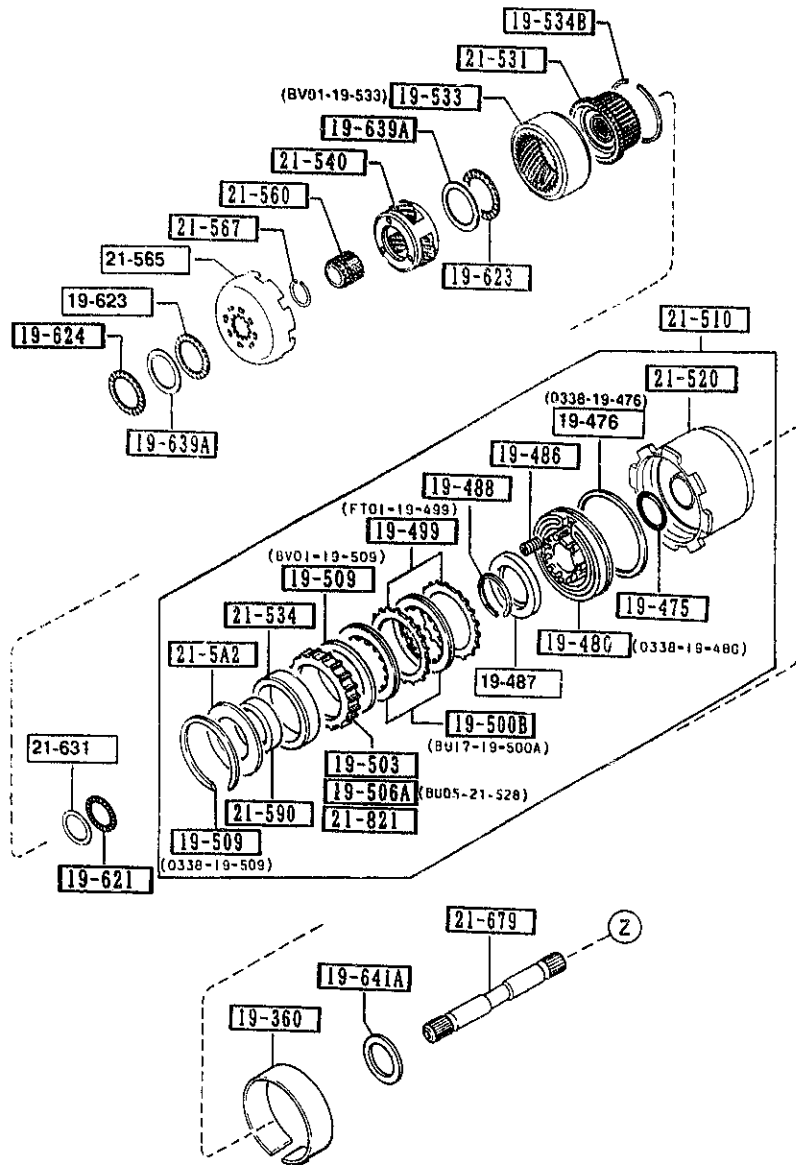


PART NO.	QTY	MODEL/RESTRICTION	MODEL/RESTRICTION	MODEL/RESTRICTION	FROM-TO
19-360		BAND, BRAKE			
0338-19-360B	2				
19-460		CLUTCH, FRONT			
BU55-19-460	1				
19-470		DRUM, CLUTCH			
BU55-19-470	1				
19-475		SEAL, 'O'RING			
0338-19-475	3				
19-476		SEAL, LATHE CUT			
BV01-19-476	1				
0338-19-476	2				
19-480		PISTON, CLUTCH			
BV01-19-480	1				
0338-19-480	2				
19-486		SPRING, PISTON RETURN			
0338-19-486	28				
19-487		RETAINER, SPRING			
0338-19-487	3				
19-488		RING, SNAP			
0338-19-488	3				
19-498		PLATE, DISHED			
0338-19-498	1				
19-498A		PLATE, DISHED			
BU17-19-498	1				
19-499		PLATE, DRIVEN			
BU55-19-499	5				
FT01-19-499	8				
19-500B		PLATE, DRIVEN			

1930 CLUTCHES & PLANETARY GEARS (AUTOMATIC)

(1/2)

(THIS ILLUSTRATION CONSISTS OF 2 PAGES)



1930 -3 CLUTCHES & PLANETARY GEARS (AUTOMATIC)

PART NO.	QTY	MODEL/RESTRICTION	MODEL/RESTRICTION	MODEL/RESTRICTION	FROM 10
19-509		RING, SNAP			
BV01-19-509	1				
0338-19-509	3				
19-510		CLUTCH, REAR			
BV01-19-510	1				-2401
C (BV01-19-510A)					
BV01-19-510A	1				2401-
19-511		DRUM, REAR CLUTCH			
1758-19-511	1				-2401
AN(1758-19-511A)					
1758-19-511A	1				2401-
19-530		HUB, REAR CLUTCH			
BV04-19-530	1				
19-531		HUB, REAR CLUTCH			
BV04-19-531	1				
19-533		GEAR, INTERNAL			
BV01-19-533	1				
BV04-19-533	1				
19-534		RING, SNAP			
0338-19-534	1				
19-534B		RING, SNAP			
BU03-19-534	1				
19-540		CARRIER, FRONT			
BV01-19-540A	1				
19-560		GEAR, SUN			
BV04-19-560	1				
19-565		SHELL, CONNECTING			
BV04-19-565	1				
19-566		RACE, SHELL BEARING			
BV04-19-566	1				
BV01-19-510			2401 NA35**~321905		
C BV01-19-510A					
C FT01-19-622					

AUNA02

(CONT' D)

CAT. AUNA02-07

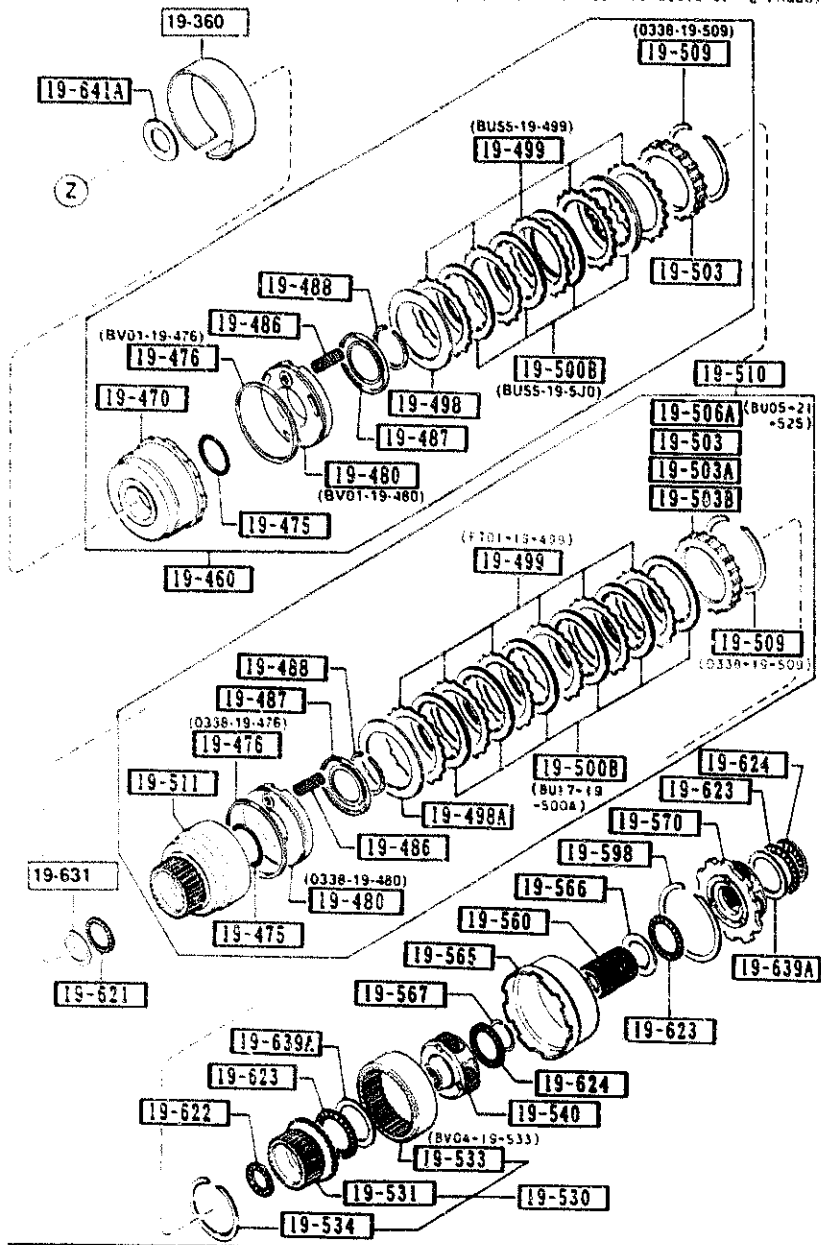
1993-12

1-N 8

1930 CLUTCHES & PLANETARY GEARS (AUTOMATIC)

(2/2)

(THIS ILLUSTRATION CONSISTS OF 2 PAGES)

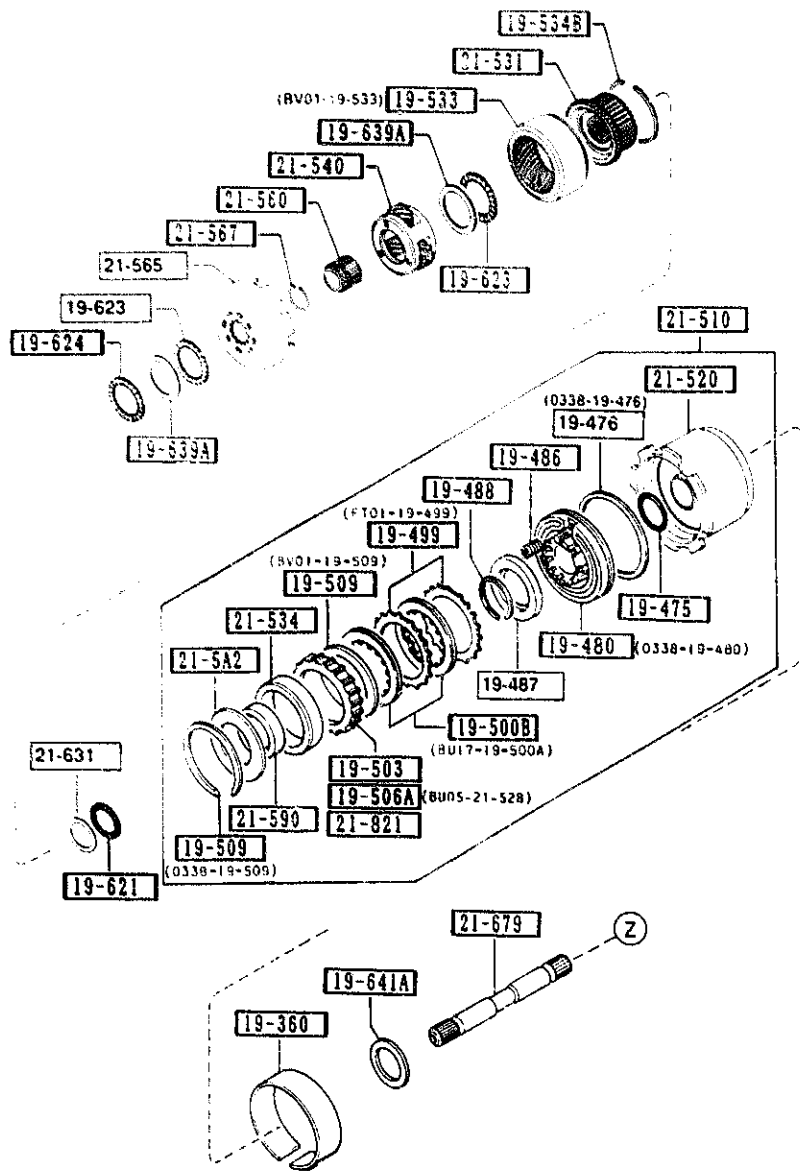


PART NO.	QTY	MODEL/RESTRICTION	MODEL/RESTRICTION	MODEL/RESTRICTION	FROM 10
19-567		RING, SNAP			
BU02-19-567	1				
19-570		CARRIER, REAR			
BV01-19-570A	1				
19-598		RING, SNAP			
0338-19-598	1				
19-621		BEARING, NEEDLE			
0338-19-621	2				
19-622		BEARING, NEEDLE			
FT01-19-622	1	D=33.8MM			
19-623		BEARING, NEEDLE			
0338-19-623A	5				
19-624		BEARING, NEEDLE			
0338-19-624	3				
19-631		RACE, BRG. PLMP COVER			
0338-19-631	1	T=1.2MM			
0338-19-632	1	T=1.4MM			
0338-19-633	1	T=1.6MM			
0338-19-634	1	T=1.8MM			
0338-19-635	1	T=2MM			
0338-19-636	1	T=2.2MM			
19-639A		RACE, BEARING			
0338-19-639	4				
19-641A		WASHER			
0338-19-641	2	T=1.9MM			
0338-19-642		T=2.1MM			

1930 CLUTCHES & PLANETARY GEARS (AUTOMATIC)

(1/2)

(THIS ILLUSTRATION CONSISTS OF 2 PAGES)

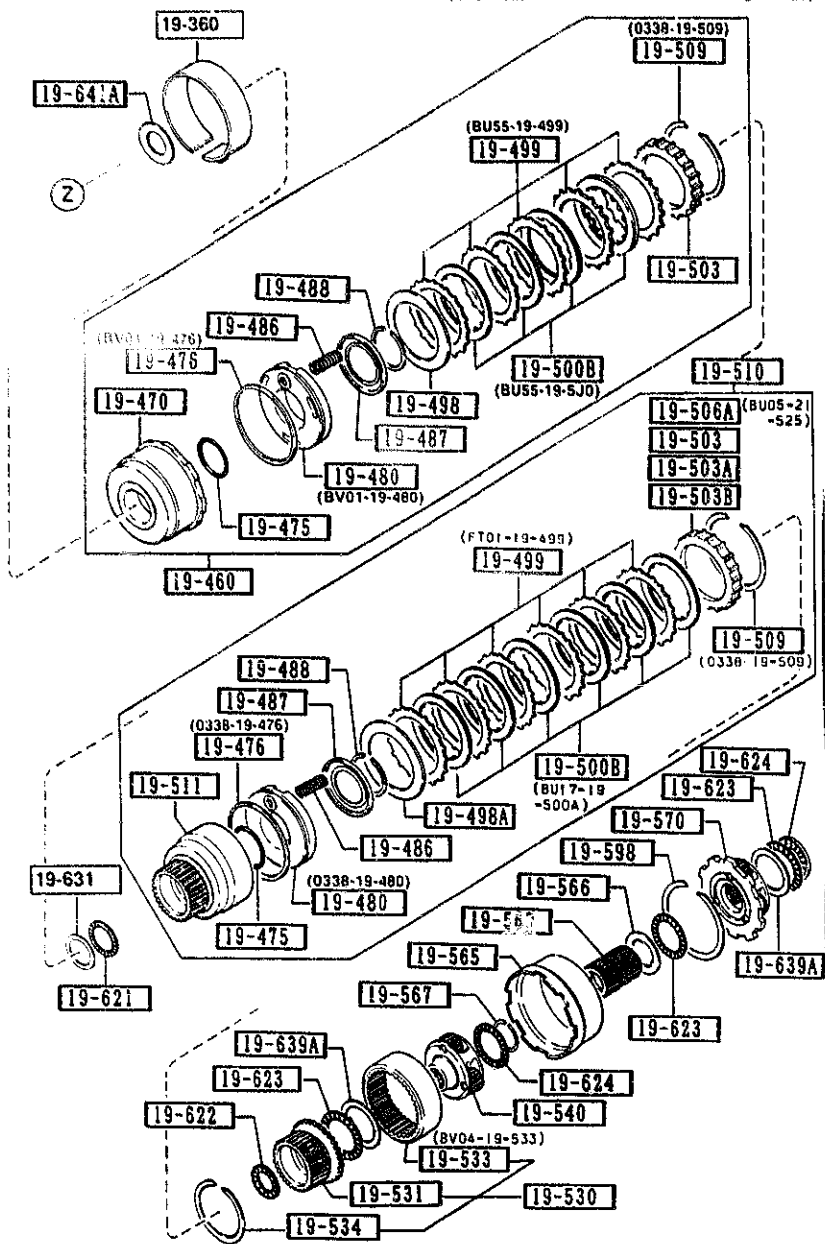


1930 -5 CLUTCHES & PLANETARY GEARS (AUTOMATIC)

PART NO.	QTY	MODEL/RESTRICTION	MODEL RESTRICTION	MODEL RESTRICTION	FROM TO
CONT'D	2				
0338-19-643	2	T=2.3MM			
0338-19-644	2	T=2.5MM			
0338-19-645	2	T=2.7MM			
0338-19-646	2	T=1.5MM			
0338-19-647	2	T=1.7MM			
0338-19-648	2	T=1.3MM			
21-5A2	1	RACE, SIDE-ONE WAY CLUTCH			
BV01-21-5A2	1	T=0.6MM			
BV01-21-5A3	1	T=0.8MM			
BV01-21-5A4	1	T=1MM			
BV01-21-5A5	1	T=1.2MM			
BV01-21-535	1	T=0.4MM			
21-510	1	CLUTCH, DIRECT			
BU55-21-510	1				
21-520	1	DRUM, DIRECT			
BU55-21-5A0	1				
21-531	1	HUB, O/DRIVE CLUTCH			
BV01-21-536	1				
21-534	1	RACE, OUTER-ONE WAY CLUTCH			
BV01-21-534	1				
21-540	1	CARRIER, OVER DRIVE			
BU03-21-540	1				
21-560	1	GEAR, OVER DRIVE			
BU03-21-560	1				

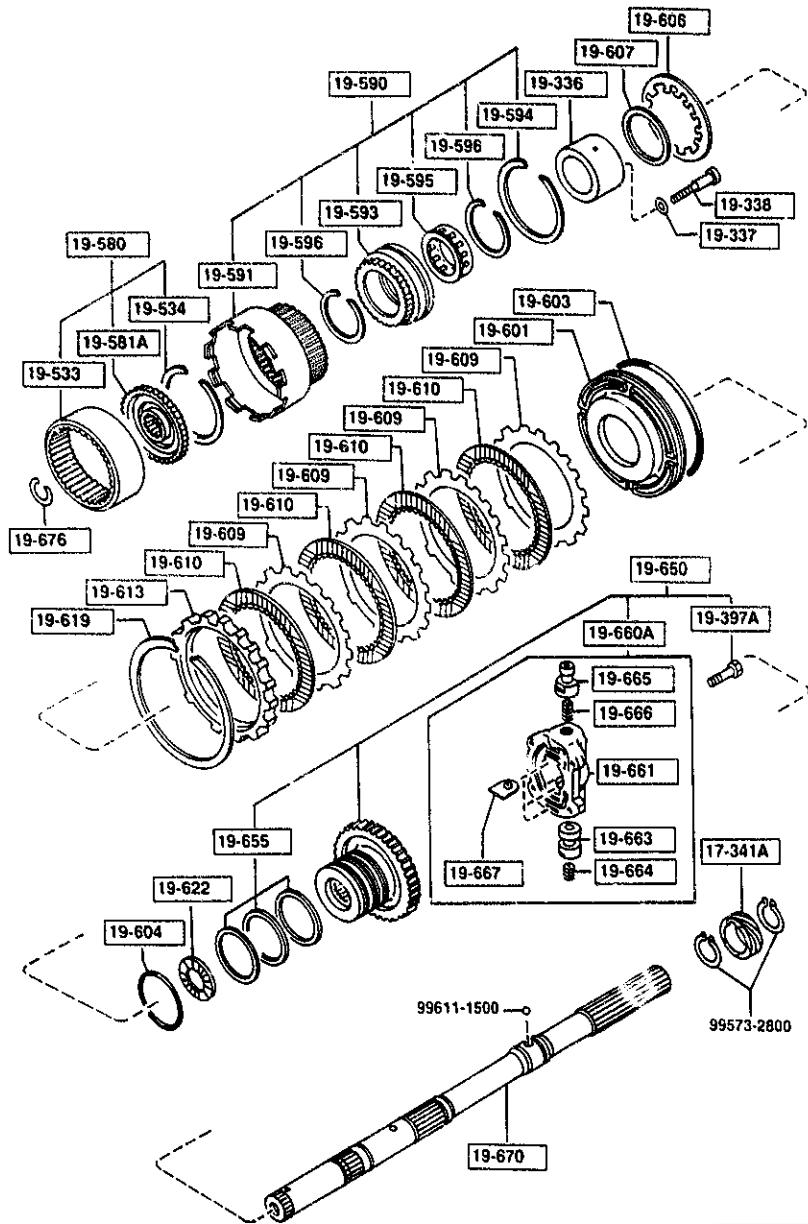
1930 CLUTCHES & PLANETARY GEARS (AUTOMATIC) (2/2)

(THIS ILLUSTRATION CONSISTS OF 2 PAGES)



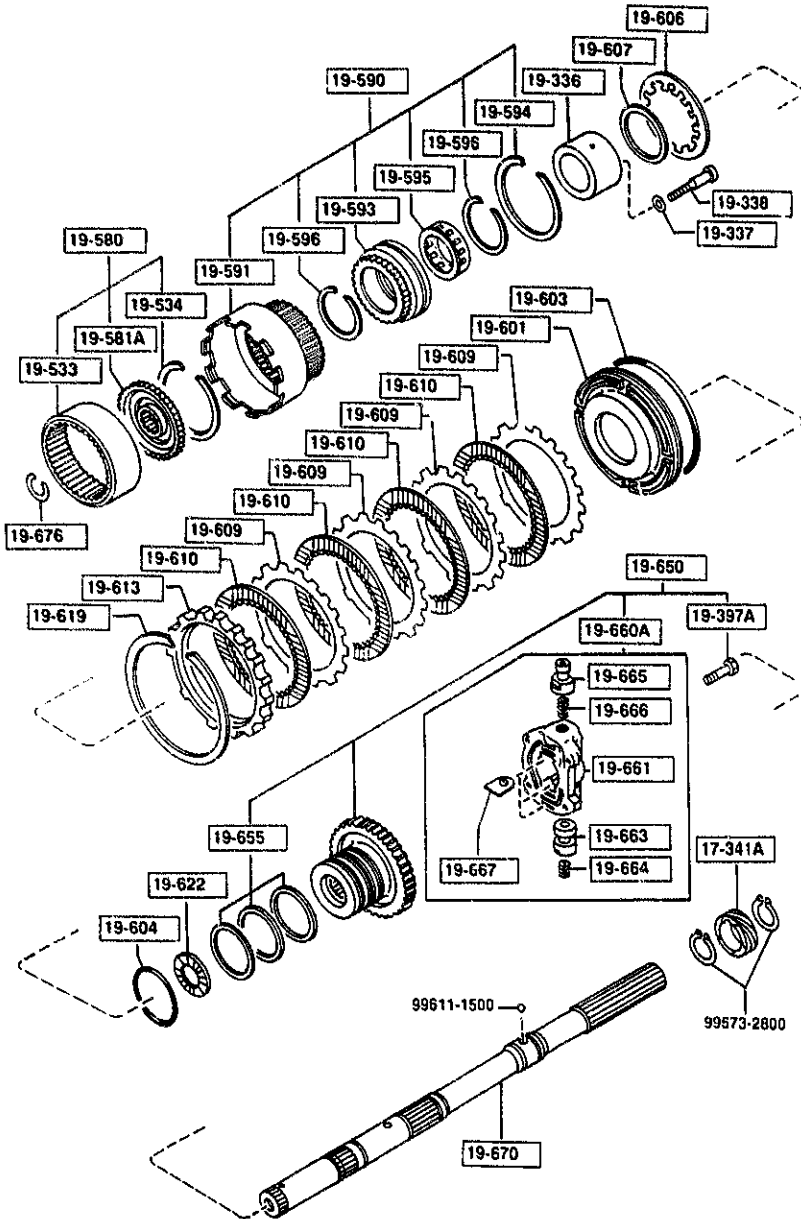
PART NO.	QTY	MODEL/RESTRICTION	MODEL/RESTRICTION	MODEL/RESTRICTION	FROM 10
21-565		CONNECTING, SHELL			
BU03-21-565	1				
21-567		RING, SNAP			
BU03-21-567	1				
21-590		CLUTCH, ONE WAY			
BV01-21-533	1				
21-631		RACE, BRG. HUB CLUTCH			
BU01-21-631	1	L=1.2MM			
BU01-21-632	1	L=1.4MM			
BU01-21-633	1	L=1.6MM			
BU01-21-634	1	L=1.8MM			
BU01-21-635	1	L=2MM			
BU01-21-636	1	L=2.2MM			
21-679		SHAFT, INTERMEDIATE			
BU01-21-679	1				
21-821		PLATE, RETAINING			
BV01-21-821A	1				

1940 GOVERNOR, LOW & REVERSE PISTON (AUTOMATIC)



PART NO.	QTY	MODEL/RESTRICTION	MODEL/RESTRICTION	MODEL/RESTRICTION	FROM IO
17-341A		GEAR, SPEEDO.DRIVE			
1281-17-341	1				
19-336		RACE, INNER			
0338-19-336	1				
19-337		WASHER, PLAIN			
0338-19-337	8				
19-338		BOLT			
0338-19-338	8				
19-397A		BOLT			
0338-19-397	4				
19-533		GEAR, INTERNAL			
BV04-19-533	1				
19-534		RING, SNAP			
0338-19-534	1				
19-580		FLANGE			
BV01-19-580	1				
19-581A		HUB, DRIVE			
BV04-19-581	1				
19-590		DRUM, CONNECTING			
0338-19-590	1				
19-591		DRUM, CONNECTING			
0338-19-591	1				
19-593		RACE, OUTER			
0338-19-593	1				
19-594		RING, SNAP			
0338-19-594	1				
19-595		CLUTCH, ONE WAY			
0338-19-595	1				

1940 GOVERNOR, LOW & REVERSE PISTON (AUTOMATIC)



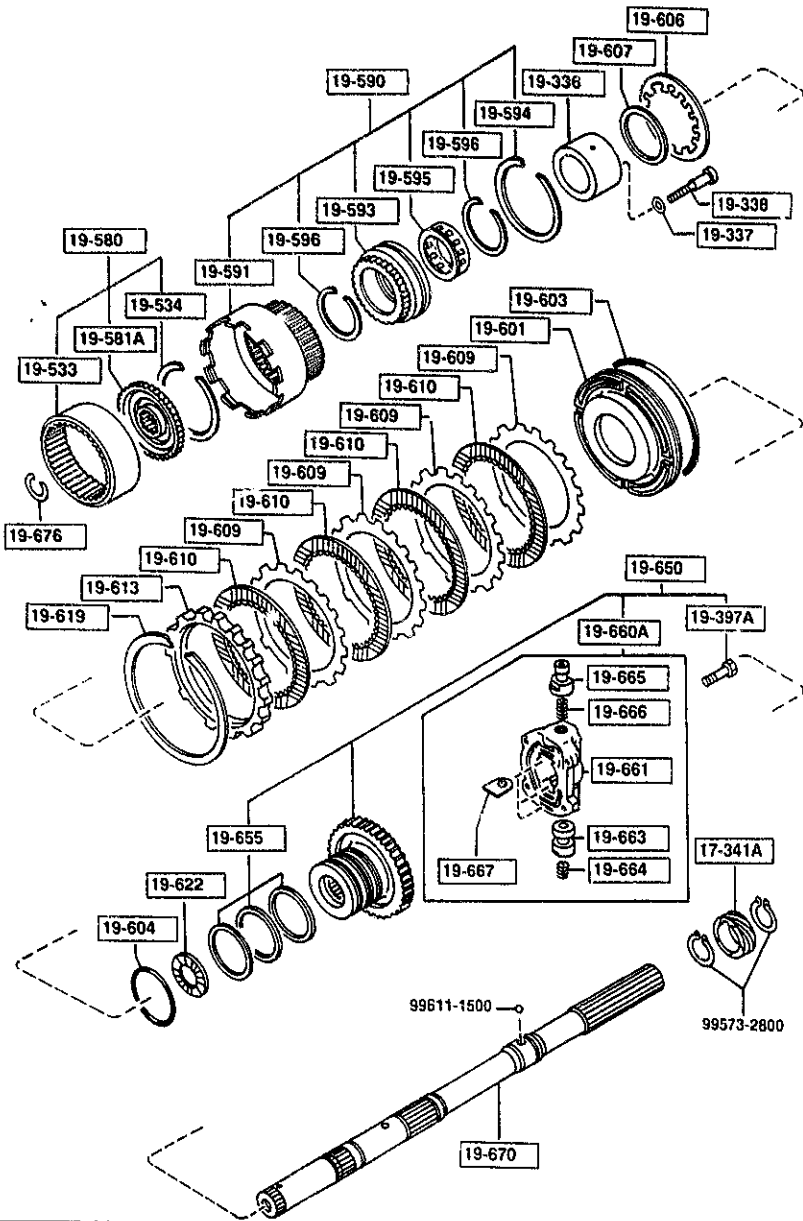
PART NO.	QTY	MODEL/RESTRICTION	MODEL/RESTRICTION	MODEL/RESTRICTION	FROM-TO
19-596		RING, SNAP			
0338-19-596	2				
19-601		PISTON, LOW & REVERSE			
BT08-19-600	1				
19-603		SEAL, PISTON			
0338-19-603	1				
19-604		SEAL, 'O'RING			
0338-19-604	1				
19-606		SPRING, PISTON			
0338-19-606	1				
19-607		RING, SNAP			
0338-19-607	1				
19-609		PLATE, DRIVEN			
0338-19-609	4				
19-610		PLATE, DRIVEN			
BU17-19-610	4				
19-613		PLATE, RETAINING			
1758-19-613	1	T=7.8MM			
1758-19-614	1	T=8MM			
1758-19-615	1	T=8.2MM			
1758-19-616	1	T=8.4MM			
1758-19-617	1	T=8.6MM			
1758-19-618	1	T=8.8MM			
19-619		RING, SNAP			
0338-19-619	1				
19-622		BEARING, NEEDLE			

AUNA02

CAT. AUNA02-07

1993-12

1940 GOVERNOR, LOW & REVERSE PISTON (AUTOMATIC)



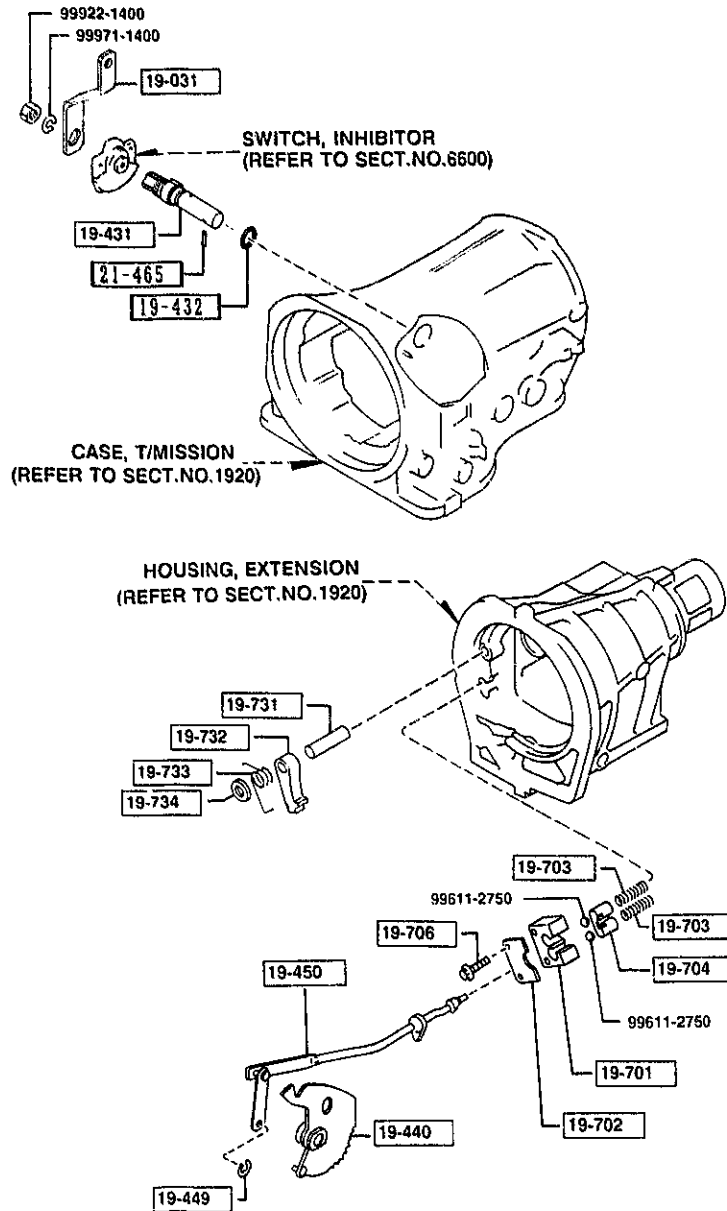
PART NO.	QTY	MODEL/RESTRICTION	MODEL/RESTRICTION	MODEL/RESTRICTION	FROM-TO
CONT'D FT01-19-622		D=33.8MM			
	1				
19-650		DISTRIBUTOR, OIL			
BU55-19-650	1				
19-655		RING, SEAL			
0338-19-655	3				
19-660A		VALVE, GOVERNOR			
BU55-19-660	1				
19-661		BODY			
BU55-19-661	1				
19-663		VALVE			
0338-19-663	1				
19-664		SPRING			
0338-19-664	1				
19-665		VALVE			
BU55-19-665	1				
19-666		SPRING, GOVERNOR			
BU55-19-666	1				
19-667		PLATE, RETAINER			
0338-19-667	3				
19-670		SHAFT			
BU55-19-670	1				
19-676		RING			
0338-19-676	1				

AUNA02

CAT. AUNA02-07

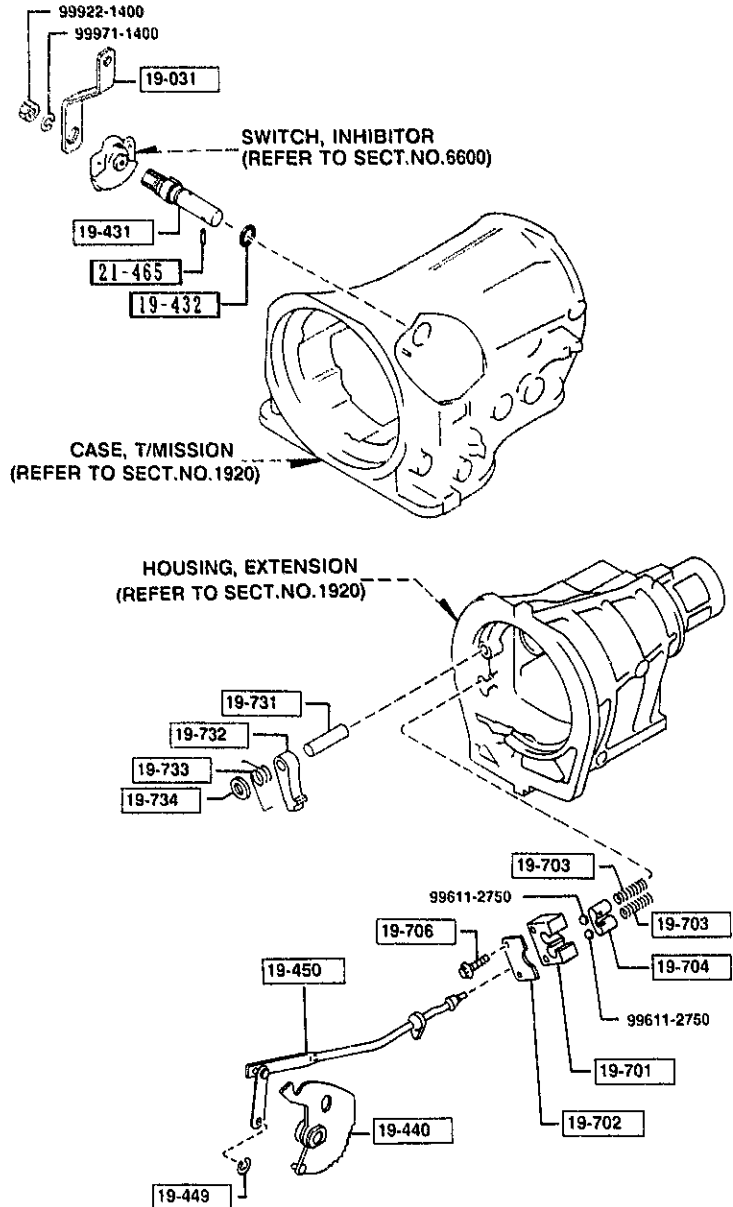
1993-12

1950 MANUAL LINKAGE SYSTEM (AUTOMATIC)



PART NO.	QTY	MODEL/RESTRICTION	MODEL/RESTRICTION	MODEL/RESTRICTION	FROM-TO
19-031		LEVER, SELECT			
BU55-19-031	1				
19-431		SHAFT, MANUAL			
BU67-19-431	1				
19-432		RING, 'O'			
0338-19-432	1				
19-440		PLATE, MANUAL			
BU55-19-440	1				-2201
BU36-19-440	1				2201-
19-449		RING, SNAP			
0338-19-449	1				
19-450		ROD, PARKING			
BU17-19-450	1				
19-701		SUPPORTER, ACTUATOR			
0338-19-701A	1				-0B01
BU17-19-701	1				0B01-
19-702		PLATE, RETAINING			
0338-19-702A	1				
19-703		SPRING, BALL PARK			
0338-19-703	2				-0B01
BU17-19-703	2				0B01-
19-704		RETAINER			
0338-19-704	1				-0B01
BU17-19-704	1				0B01-
19-706		BOLT			
0338-19-706	1				
19-731		SHAFT, PARKING PAWL			
0338-19-731	1				
0B01 NA35**X-217311					
2201 NA35**X-316887					

1950 MANUAL LINKAGE SYSTEM (AUTOMATIC)

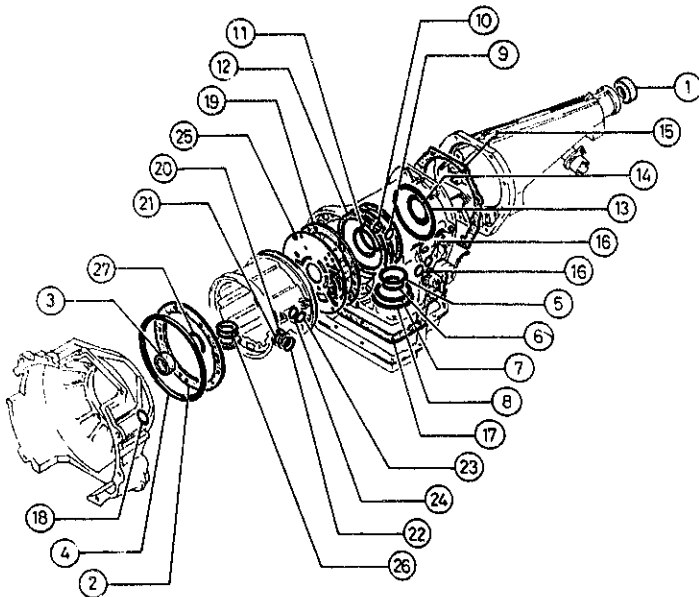


PART NO.	QTY	MODEL/RESTRICTION	MODEL/RESTRICTION	MODEL/RESTRICTION	FROM TO
19-732		PAWL, PARKING			
BU17-19-732	1				
19-733		SPRING, PAWL RETURN			
0338-19-733C	1				
19-734		SPACER, DOWEL			
0338-19-734A	1				
21-465		PIN, SPRING-PARKING ROD			
BU67-21-465	1				

1960 GASKET & SEAL KIT (AUTOMATIC)

22-900

- | | |
|---------------------------|--------------------------------|
| 1-SEAL,OIL.....(1) | 15-GASKET,EXTENSION.....(1) |
| 2-GASKET,OIL PUMP.....(1) | 16-SEAL,"O"RING.....(2) |
| 3-SEAL,OIL.....(1) | 17-GASKET,OIL PAN.....(1) |
| 4-SEAL,CUT RING.....(2) | 18-RING,"O".....(1) |
| 5-SEAL,PISTON.....(1) | 19-GASKET,DRUM SUPPORT.....(1) |
| 6-SEAL,PISTON.....(1) | 20-SEAL,"O"RING.....(1) |
| 7-SEAL,LATHE CUT.....(1) | 21-SEAL,"O"RING.....(1) |
| 8-RING,"O".....(1) | 22-RING,"O".....(1) |
| 9-RING,"O".....(1) | 23-RING,"O".....(1) |
| 10-RING,"O".....(1) | 24-RING,"O".....(1) |
| 11-SEAL,"O"RING.....(3) | 25-GASKET,O/DRIVE CASE.....(1) |
| 12-SEAL,LAHTE CUT.....(3) | 26-RING,"O".....(1) |
| 13-SEAL,PISTON.....(1) | 27-RING,"O".....(1) |
| 14-SEAL,"O"RING.....(1) | |



PART NO.	QTY	MODEL/RESTRICTION	MODEL/RESTRICTION	MODEL/RESTRICTION	FROM-10
22-900		GASKET & SEAL KIT			
BU01-99-190A	1	ASBESTOS			